



# AirPrime MC7411

## Product Technical Specification



**SIERRA**  
WIRELESS®

41113760

Rev 4

Proprietary and Confidential  
Contents subject to change

## Important Notice

Due to the nature of wireless communications, transmission and reception of data can never be guaranteed. Data may be delayed, corrupted (i.e., have errors) or be totally lost. Although significant delays or losses of data are rare when wireless devices such as the Sierra Wireless modem are used in a normal manner with a well-constructed network, the Sierra Wireless modem should not be used in situations where failure to transmit or receive data could result in damage of any kind to the user or any other party, including but not limited to personal injury, death, or loss of property. Sierra Wireless accepts no responsibility for damages of any kind resulting from delays or errors in data transmitted or received using the Sierra Wireless modem, or for failure of the Sierra Wireless modem to transmit or receive such data.

## Safety and Hazards

Do not operate the Sierra Wireless modem in areas where blasting is in progress, where explosive atmospheres may be present, near medical equipment, near life support equipment, or any equipment which may be susceptible to any form of radio interference. In such areas, the Sierra Wireless modem **MUST BE POWERED OFF**. The Sierra Wireless modem can transmit signals that could interfere with this equipment.

Do not operate the Sierra Wireless modem in any aircraft, whether the aircraft is on the ground or in flight. In aircraft, the Sierra Wireless modem **MUST BE POWERED OFF**. When operating, the Sierra Wireless modem can transmit signals that could interfere with various onboard systems.

---

*Note: Some airlines may permit the use of cellular phones while the aircraft is on the ground and the door is open. Sierra Wireless modems may be used at this time.*

---

The driver or operator of any vehicle should not operate the Sierra Wireless modem while in control of a vehicle. Doing so will detract from the driver or operator's control and operation of that vehicle. In some states and provinces, operating such communications devices while in control of a vehicle is an offence.

## Limitation of Liability

The information in this manual is subject to change without notice and does not represent a commitment on the part of Sierra Wireless. SIERRA WIRELESS AND ITS AFFILIATES SPECIFICALLY DISCLAIM LIABILITY FOR ANY AND ALL DIRECT, INDIRECT, SPECIAL, GENERAL, INCIDENTAL, CONSEQUENTIAL, PUNITIVE OR EXEMPLARY DAMAGES INCLUDING, BUT NOT LIMITED TO, LOSS OF PROFITS OR REVENUE OR ANTICIPATED PROFITS OR REVENUE ARISING OUT OF THE USE OR INABILITY TO USE ANY SIERRA WIRELESS PRODUCT, EVEN IF SIERRA WIRELESS AND/OR ITS AFFILIATES HAS BEEN ADVISED OF THE POSSIBILITY OF SUCH DAMAGES OR THEY ARE FORESEEABLE OR FOR CLAIMS BY ANY THIRD PARTY.

Notwithstanding the foregoing, in no event shall Sierra Wireless and/or its affiliates aggregate liability arising under or in connection with the Sierra Wireless product, regardless of the number of events, occurrences, or claims giving rise to liability, be in excess of the price paid by the purchaser for the Sierra Wireless product.

## Patents

This product may contain technology developed by or for Sierra Wireless Inc. This product is manufactured or sold by Sierra Wireless Inc. or its affiliates under one or more patents licensed from MMP Portfolio Licensing.

**Copyright** ©2021 Sierra Wireless. All rights reserved.

**Trademarks** Sierra Wireless®, AirPrime®, AirLink®, AirVantage® and the Sierra Wireless logo are registered trademarks of Sierra Wireless.

Windows® and Windows Vista® are registered trademarks of Microsoft Corporation.

Macintosh® and Mac OS X® are registered trademarks of Apple Inc., registered in the U.S. and other countries.

Other trademarks are the property of their respective owners.

## Contact Information

Sales information and technical support, including warranty and returns	Web: <a href="http://sierrawireless.com/company/contact-us/">sierrawireless.com/company/contact-us/</a> Global toll-free number: 1-877-687-7795 6:00 am to 5:00 pm PST
Corporate and product information	Web: <a href="http://sierrawireless.com">sierrawireless.com</a>

## Revision History

Revision number	Release date	Changes
1	March 2020	Initial release.
2	April 2020	Updated Carrier Aggregation Download Combinations Updated <a href="#">Figure 6-2</a>
3	December 2020	Updated GNSS statements to include QZSS Updated CA combinations Updated Position Location (GNSS) topic Added System, Tx, and Rx block diagrams Updated Rx Sensitivity Updated Current Consumption Updated USB Interface topic notes Added Tx Activity Indicator (TX_ON) signal details Updated GNSS Specifications—Accuracy, Operational Limits Updated Power Consumption tables (replaced TBDs) Updated TEMP_HI_CRIT limit Updated Mechanical and Environmental Specifications (temperature, humidity, vibration, shock, weight)
4	February 2021	Updated <a href="#">Figure 4-2</a> (W_DISABLE_N timing) Added Testing appendix

# >> Contents

<b>Introduction</b> .....	<b>11</b>
Supported RF Bands .....	11
Physical Features .....	13
Application Interface Features .....	13
Modem Features .....	13
LTE Features .....	14
Short Message Service (SMS) Features .....	14
Position Location (GNSS) .....	14
Supporting Documents .....	15
Accessories .....	15
Required Connectors .....	15
Ordering Information .....	15
Integration Requirements .....	16
<b>Electrical Specifications</b> .....	<b>17</b>
Host Interface Pin Assignments .....	20
Power Supply .....	25
USB Interface .....	25
Host-side Recommendation .....	26
USB Throughput Performance .....	26
User-developed Drivers .....	26
SIM Interface .....	26
SIM Implementation .....	29
Control Interface (Signals) .....	30
WAKE_N — Wake Host .....	30
W_DISABLE_N — Wireless Disable .....	31
WAN_LED_N—LED Output .....	31
SYSTEM_RESET_N—Reset Input .....	32
Tx Activity Indicator (TX_ON) .....	33
Antenna Control .....	33

---

<b>RF Specifications</b> .....	<b>35</b>
RF Connections .....	35
Shielding .....	35
Antenna and Cabling .....	36
Ground Connection .....	37
Interference and Sensitivity .....	37
Interference From Other Wireless Devices .....	37
Host-generated RF Interference .....	38
Device-generated RF Interference .....	38
Methods to Mitigate Decreased Rx Performance .....	38
Radiated Spurious Emissions (RSE) .....	38
Radiated Sensitivity Measurement .....	39
Sierra Wireless' Sensitivity Testing and Desensitization Investigation .....	39
Sensitivity vs. Frequency .....	39
Supported Frequencies .....	39
Conducted Rx Sensitivity / Tx Power .....	42
GNSS Specifications .....	43
<b>Power</b> .....	<b>44</b>
Power Consumption .....	44
Module Power States .....	46
Power State Transitions .....	47
Power Interface .....	48
Power Ramp-up .....	48
Power-On/Off Timing .....	48
Power Supply Noise .....	49
SED (Smart Error Detection) .....	49
Tx Power Control .....	50
<b>Software Interface</b> .....	<b>51</b>
Support Tools .....	51
Host Interface .....	51

- Mechanical and Environmental Specifications . . . . . 52**
  - Electrostatic Discharge (ESD) . . . . . 53
  - Thermal Considerations. . . . . 53
  
- Regulatory Compliance and Industry Certifications . . . . . 56**
  - Important Compliance Information for North American Users . . . . . 56
  
- Antenna Specification . . . . . 59**
  - Recommended Main/Diversity Antenna Specifications. . . . . 59
  - Recommended GNSS Antenna Specifications . . . . . 61
  - Antenna Tests . . . . . 61
  
- Design Checklist . . . . . 63**
  
- Testing . . . . . 65**
  - AT Command Entry Timing Requirement . . . . . 65
  - Acceptance Testing . . . . . 65
    - Acceptance Test Requirements . . . . . 65
    - Acceptance Test Procedure . . . . . 66
  - Certification Testing . . . . . 66
  - Production Testing . . . . . 67
  - Functional Production Test . . . . . 67
    - Production Test Procedure . . . . . 68
    - UMTS (WCDMA) RF Transmission Path Test . . . . . 69
    - LTE RF Transmission Path Test . . . . . 71
    - UMTS (WCDMA) RF Receive Path Test . . . . . 73
    - LTE RF Receive Path Test . . . . . 75
    - GNSS RF Receive Path Test . . . . . 77
  - Quality Assurance Testing. . . . . 77
  - Suggested Testing Equipment. . . . . 78
  - Testing Assistance Provided by Sierra Wireless . . . . . 78
  - IOT/Operator Testing. . . . . 78

---

Extended AT Commands for Testing . . . . .	79
<b>Packaging . . . . .</b>	<b>80</b>
<b>References . . . . .</b>	<b>81</b>
Sierra Wireless Documents . . . . .	81
Command Documents . . . . .	81
Other Sierra Documents . . . . .	81
Industry/Other Documents . . . . .	81
<b>Acronyms . . . . .</b>	<b>82</b>
<b>Index . . . . .</b>	<b>88</b>

# >> List of Tables

Table 1-1: Supported RF Bands . . . . .	11
Table 1-2: Carrier Aggregation Downlink Combinations . . . . .	11
Table 1-3: Carrier Aggregation Uplink Combinations . . . . .	12
Table 1-4: Required Host-Module Connectors . . . . .	15
Table 2-1: Connector Pin Assignments . . . . .	21
Table 2-2: Power and Ground Specifications . . . . .	25
Table 2-3: USB Interfaces . . . . .	25
Table 2-4: SIM Interface Signals . . . . .	27
Table 2-5: Module Control Signals. . . . .	30
Table 2-6: W_DISABLE_N Usage . . . . .	31
Table 2-7: Tx Activity Indicator States . . . . .	33
Table 2-8: Tx Activity Indicator Characteristics . . . . .	33
Table 2-9: Antenna Control Signals. . . . .	34
Table 3-1: LTE Frequency Bands . . . . .	40
Table 3-2: LTE Bandwidth Support . . . . .	40
Table 3-3: WCDMA Frequency Bands Support. . . . .	41
Table 3-4: Conducted Rx (Receive) Sensitivity—LTE Bands . . . . .	42
Table 3-5: Conducted Rx (Receive) Sensitivity—UMTS Bands . . . . .	42
Table 3-6: Conducted Tx (Transmit) Power Tolerances . . . . .	43
Table 3-7: GNSS Specifications . . . . .	43
Table 4-1: Averaged Standby DC Power Consumption. . . . .	44
Table 4-2: Averaged Call Mode DC Power Consumption . . . . .	45
Table 4-3: Miscellaneous DC Power Consumption . . . . .	45
Table 4-4: Module Power States . . . . .	46
Table 4-5: Power State Transition Trigger Levels . . . . .	47
Table 4-6: USB 2.0 Power-On/Off Timing Parameters (Double Enumeration) . . . . .	48
Table 4-7: USB 2.0 Power-On/Off Timing Parameters (Single Enumeration) . . . . .	49
Table 4-8: USB 3.0 Power-On/Off Timing Parameters (Single Enumeration) . . . . .	49
Table 4-9: Dynamic Power Control of SAR Backoff State . . . . .	50
Table 6-1: Mechanical and Environmental Specifications . . . . .	52



---

Table 7-1: Standards Compliance . . . . .	56
Table 7-2: Antenna Gain and Collocated Radio Transmitter Specifications . . . . .	57
Table A-1: Antenna Requirements . . . . .	59
Table A-2: GNSS Antenna Requirements . . . . .	61
Table B-1: Hardware Integration Design Considerations . . . . .	63
Table C-1: Test Settings—UMTS Transmission Path . . . . .	69
Table C-2: Test Settings—LTE Transmission Path . . . . .	71
Table C-3: Test Settings—UMTS Receive Path . . . . .	73
Table C-4: Test Settings—LTE Receive Path . . . . .	75
Table C-5: Extended AT Commands . . . . .	79
Table F-1: Acronyms and Definitions . . . . .	82

# >> List of Figures

Figure 2-1: System Block Diagram . . . . .	18
Figure 2-2: Expanded RF (Transmit) Block Diagram. . . . .	19
Figure 2-3: Expanded RF (Receive/GNSS) Block Diagram . . . . .	20
Figure 2-4: Recommended Capacitor Placement for USB3.0 Signals . . . . .	26
Figure 2-5: SIM Application Interface (applies to both SIM interfaces) . . . . .	28
Figure 2-6: SIM Card Contacts (Contact View) . . . . .	28
Figure 2-7: Recommended WAKE_N Connection. . . . .	31
Figure 2-8: Example LED. . . . .	32
Figure 2-9: SYSTEM_RESET_N reset timing . . . . .	32
Figure 2-10: TX_ON State During Transmission . . . . .	33
Figure 3-1: Module Connectors (Preliminary shield design, subject to change) . . . . .	35
Figure 4-1: Voltage/Temperature Monitoring State Machines. . . . .	47
Figure 4-2: Signal Timing (W_DISABLE_N, and USB Enumeration) . . . . .	48
Figure 6-1: Shield locations requiring heat dissipation (Top view). . . . .	53
Figure 6-2: Copper Pad Location on Bottom Side of Module . . . . .	54

# >> 1: Introduction

The Sierra Wireless MC7411 PCI Express Mini Card is a compact, lightweight, wireless modem that provides LTE, UMTS, and GNSS connectivity for M2M applications, notebook, ultrabook and tablet computers over several radio frequency bands.

## Supported RF Bands

The module, based on Qualcomm's MDM9250 baseband processor, supports data operation on LTE and UMTS networks over the bands described in Table 1-1, with LTE carrier aggregation (CA) as described in Table 1-2 and Table 1-3.

**Table 1-1: Supported RF Bands**

RAT	Bands														
	2	4	5	7	12	13	14	25	26	41	42	43	48	66	71
LTE <sup>a</sup>	F	F	F	F	F	F	F	F	F	T	T	T	T	F	F
UMTS <sup>b</sup>	Y	Y	Y												
GNSS	<ul style="list-style-type: none"> <li>• GPS: 1575.42 MHz</li> <li>• GLONASS: 1602 MHz</li> <li>• BeiDou: 1561.098 MHz</li> <li>• Galileo: 1575.42 MHz</li> <li>• QZSS: 1575.42 MHz</li> </ul>														

- a. (LTE) Downlink MIMO support (2x2; 4x2)  
 F=FDD; T=TDD  
 Data rates: Downlink (Cat 7 with 2CA, 64QAM=300 Mbps), Uplink (Cat 13 with 2CA contiguous, 64QAM=150 Mbps)
- b. UMTS (DC-HSPA+, HSPA+, HSPA, UMTS)  
 Diversity support  
 Data rates: Downlink (Cat 24, up to 42 Mbps), Uplink (Cat 6, up to 5.76 Mbps)

**Table 1-2: Carrier Aggregation Downlink Combinations**

1 Band / 2CC	2 Bands / 2CC
CA_2A-2A	CA_2A-5A
CA_2C	CA_2A-7A
	CA_2A-12A
	CA_2A-13A
	CA_2A-14A
	CA_2A-71A

**Table 1-2: Carrier Aggregation Downlink Combinations (Continued)**

1 Band / 2CC	2 Bands / 2CC
CA_4A-4A	CA_4A-5A
	CA_4A-7A
	CA_4A-12A
	CA_4A-13A
	CA_4A-71A
CA_5B	CA_5A-66A
CA_7A-7A	CA_7A-12A
CA_7B	
CA_7C	
CA_12B	CA_12A-66A
	CA_13A-66A
	CA_14A-66A
CA_25A-25A	CA_25A-26A
	CA_26A-41A
CA_41A-41A	
CA_41C	
CA_42A-42A	
CA_42C	
CA_43C	
CA_48A-48A	
CA_48C	
CA_66A-66A	CA_66A-71A
CA_66B	
CA_66C	

**Table 1-3: Carrier Aggregation Uplink Combinations**

CA_5B
CA_7C
CA_41C
CA_42C
CA_43C
CA_48C

## Physical Features

- Small form factor—conforms to type F2 as specified in *PCI Express Mini Card Electromechanical Specification Revision 1.2*.
- Ambient operating temperature range:
  - Class A (3GPP compliant): -30°C to +70°C
  - Class B (operational, non-3GPP compliant): -40°C to +85°C (reduced operating parameters required)

---

**Important:** *The internal module temperature (reported by AT!PCTEMP) must be kept below 110°C. For best performance, the internal module temperature should be kept below 80°C. Proper mounting, heat sinks, and active cooling may be required, depending on the integrated application.*

---

## Application Interface Features

- USB interface (QMI) for Windows 7 and legacy Windows operating systems
- MBIM for Windows 8.1 and Windows 10
- AT command interface ([1] *AT Command Set for User Equipment (UE) (Release 6) (Doc# 3GPP TS 27.007)*, plus proprietary extended AT commands in [2] *AirPrime EM75xx and EM/MC74x1 AT Command Reference (Doc# 41111748)*)
- Software Development Kits (SDK), including API (Application Program Interface) functions:
  - Windows 10
  - Linux
- Support for active antenna control via dedicated antenna control signals (ANT\_CTRL0:2)
- Dynamic power reduction support via software and dedicated signal (DPR)
- OMA DM (Open Mobile Alliance Device Management)
- FOTA (Firmware Over The Air)

---

*Note: OMA DM and FOTA support is operator-dependent.*

---

## Modem Features

- LTE / DC-HSPA+ / HSPA+ / HSPA / UMTS (WCDMA) operation
- Multiple (up to 16) cellular packet data profiles
- Traditional modem COM port support for AT commands
- USB suspend / resume
- Sleep mode for minimum idle power draw
- SIM application tool kit with proactive SIM commands
- Enhanced Operator Name String (EONS)
- Mobile-originated PDP context activation / deactivation
- Support QoS QCI (3GPP Release 12)
- Static and Dynamic IP address. The network may assign a fixed IP address or dynamically assign one using DHCP (Dynamic Host Configuration Protocol).
- PAP and CHAP support
- PDP context type (IPv4, IPv6, or IPv4v6)

- RFC1144 TCP/IP header compression

## LTE Features

- Carrier aggregation:
  - DL LTE-FDD—40 MHz
  - DL LTE-TDD—40 MHz
  - UL LTE—40 MHz intraband contiguous
- CSG support (LTE Femto)
- LTE Advanced receivers (NLIC, eICIC, feICIC)
- Basic cell selection and system acquisition
  - PSS/SSS/MIB decode
  - SIB1–SIB16 decoding
- NAS/AS security procedures
  - Snow 3G/AES/ZUC security
- CQI/RI/PMI reporting
- Paging procedures
  - Paging in Idle and Connected mode
- Dedicated bearer
  - Network-initiated dedicated bearer
  - UE-initiated dedicated bearer
- Multiple PDN connections (IPv4 and IPv6 combinations), subject to operating system support.
- Connected mode intra-LTE mobility
- Idle mode intra-LTE mobility
- iRAT between LTE/3G for idle and connection release with redirection
- Detach procedure
  - Network-initiated detach with reattach required
  - Network-initiated detach followed by connection release

## Short Message Service (SMS) Features

- Mobile-originated and mobile-terminated SMS over IMS for LTE
- Mobile-originated and mobile-terminated SMS over SGs for LTE

## Position Location (GNSS)

- Customizable tracking session
- Automatic tracking session on startup
- Concurrent standalone GPS, GLONASS, Galileo, BeiDou, and QZSS
- Assisted GPS/GLONASS SUPL2.0
- GPS/GLONASS on dedicated connector or diversity connector
- gpsOneXTRA 1.0/2.0/3.0/3.1
- BeiDou on dedicated connector, or on diversity connector with reduced performance
- Galileo on dedicated connector or diversity connector

## Supporting Documents

Several additional documents describe Mini Card design, usage, integration, and other features. See [References on page 81](#).

## Accessories

The Universal Development Kit (UDK) is a hardware development platform for AirPrime MC-series modules. It contains hardware components for evaluating and developing with the module, including:

- Development board
- Cables
- Antennas (Additional antennas may be required to support all bands.)
- Initial allotment of support hours
- Other accessories

For instructions on setting up the UDK, see *[3] PCI Express Mini Card Dev Kit Quick Start Guide (Doc# 2130705)*.

For over-the-air LTE testing, ensure that suitable antennas are used. (Two antennas are required for this testing.)

## Required Connectors

[Table 1-4](#) describes the connectors used to integrate AirPrime MC-series modules into your host device.

**Table 1-4: Required Host-Module Connectors<sup>a</sup>**

Connector type	Description
RF cables	<ul style="list-style-type: none"> <li>• Mate with Hirose U.FL connectors (model U.FL #CL331-0471-0-10)</li> <li>• Three connector jacks</li> </ul>
EDGE (52-pin)	<ul style="list-style-type: none"> <li>• Industry-standard mating connector</li> <li>• Some manufacturers include Tyco, Foxconn, Molex</li> <li>• Example: UDK board uses Molex 67910-0001</li> </ul>
<a href="#">SIM</a>	<ul style="list-style-type: none"> <li>• Industry-standard connector. Type depends on how host device exposes the SIM socket</li> <li>• Example: UDK board uses ITT CCM03-3518</li> </ul>

a. Manufacturers/part numbers are for reference only and are subject to change. Choose connectors that are appropriate for your own design.

## Ordering Information

To order, contact the Sierra Wireless Sales Desk at +1 (604) 232-1488 between 8 AM and 5 PM Pacific Time.

## Integration Requirements

Sierra Wireless provides, in the document suite, guidelines for successful Mini Card integration and offers integration support services as necessary.

When integrating the MC7411 PCI-Express Mini Card, the following items need to be addressed:

- **Mounting**—Effect on temperature, shock, and vibration performance
- **Power supply**—Impact on battery drain and possible [RF](#) interference
- **Antenna location and type**—Impact on RF performance
- **Regulatory approvals**—As discussed in [Regulatory Compliance and Industry Certifications on page 56](#).
- **Service provisioning**—Manufacturing process
- **Software**—As discussed in [Software Interface on page 51](#).
- **Host Interface**—Compliance with interface voltage levels



## >> 2: Electrical Specifications

The system block diagram in [Figure 2-1 on page 18](#) represents the MC7411 module integrated into a host system. The module includes the following interfaces to the host:

- Power—Supplied to the module by the host.
- W\_DISABLE\_N—Input supplied to the module by the host to cause the module to either turn off/on or enter/exit low power mode (software configurable).
- WAKE\_N—Signal used to wake the host when specific events occur.
- WAN\_LED\_N—Active-low LED drive signal provides an indication of WAN radio ON state.
- SYSTEM\_RESET\_N—Active-low reset input.
- Antenna—Three U.FL RF connectors (main (Rx/Tx), GNSS, and auxiliary (diversity/MIMO/GNSS). For details, see [RF Specifications on page 35](#).
- Antenna control—Three signals that can be used to control external antenna switches.
- Dynamic power control—Signal used to adjust Tx power to meet FCC/CE SAR requirements. For details, see [Tx Power Control on page 50](#).
- Dual SIM—Supported through the interface connector. The SIM cavities / connectors must be placed on the host device for this feature.
- USB—USB 2.0 and USB 3.0 interfaces to the host for data, control, and status information.

The MC7411 has two main interface areas—the host I/O connector and the RF ports. Details of these interfaces are described in the sections that follow.

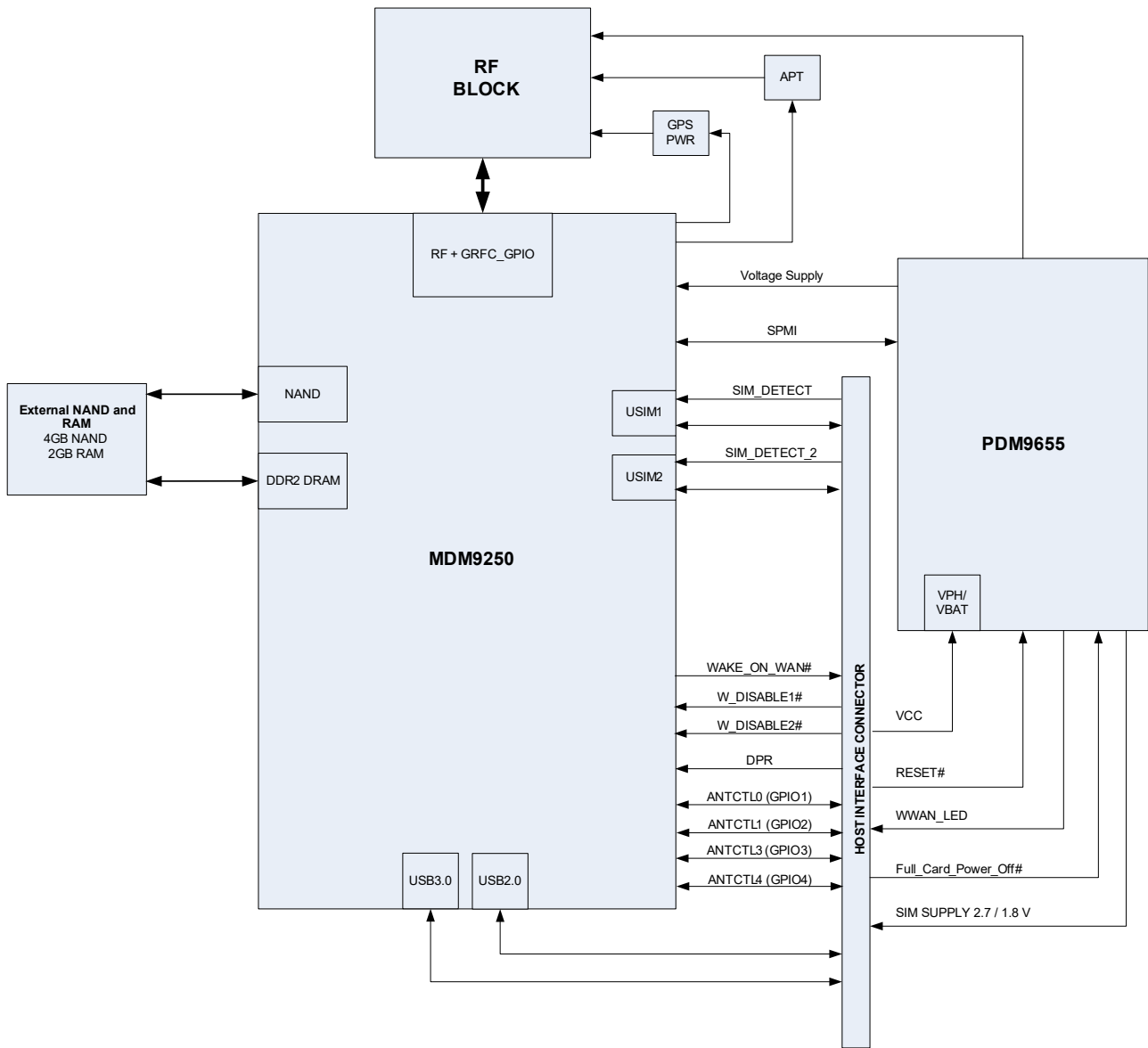


Figure 2-1: System Block Diagram

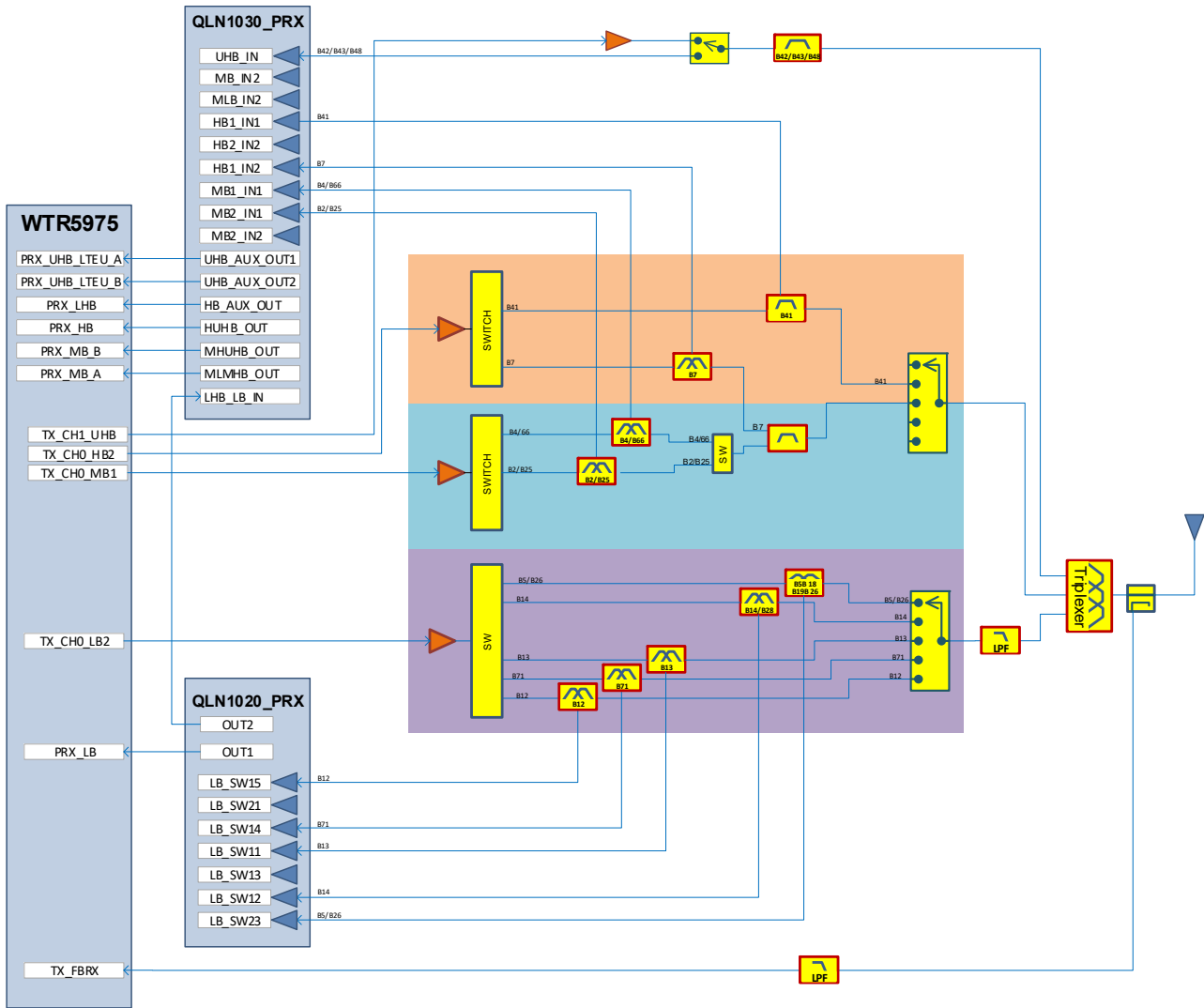


Figure 2-2: Expanded RF (Transmit) Block Diagram

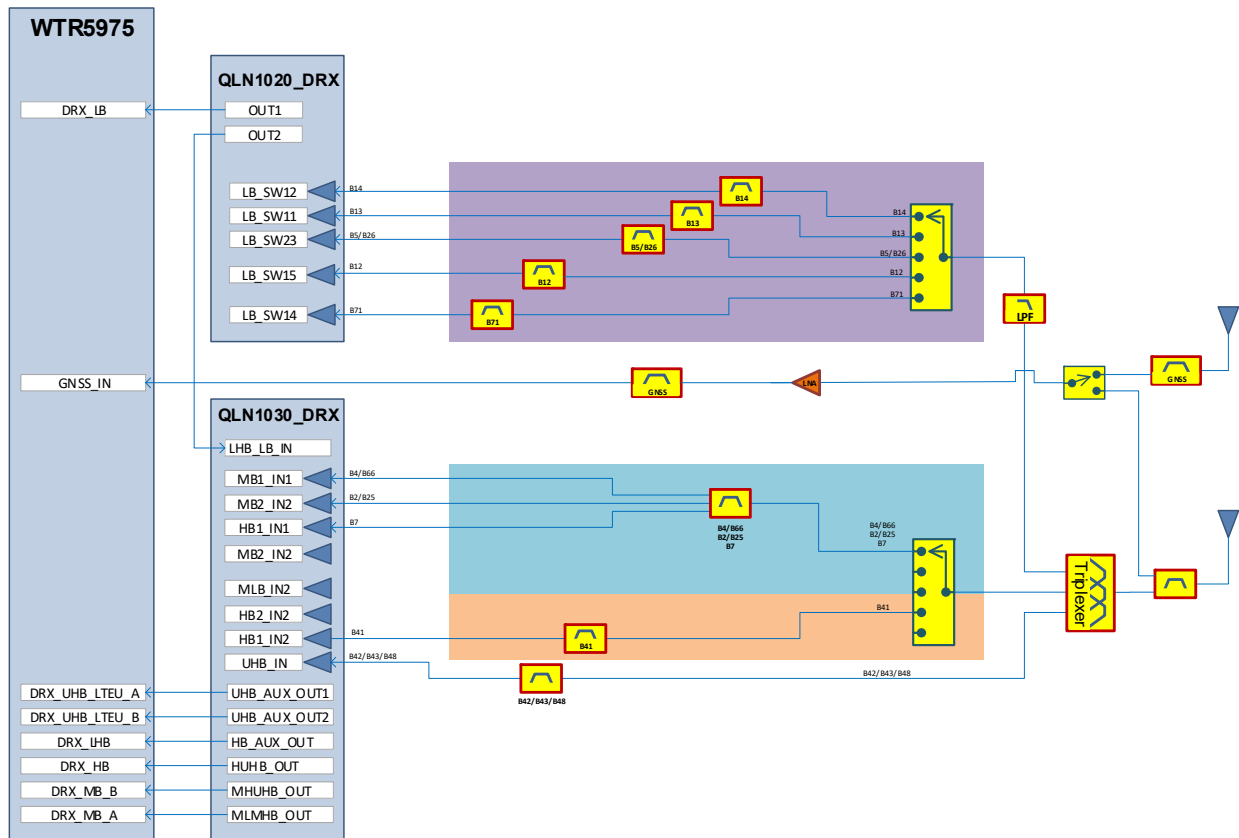


Figure 2-3: Expanded RF (Receive/GNSS) Block Diagram

## Host Interface Pin Assignments

The MC7411 host I/O connector provides pins for power, serial communications, and control. Pin assignments are listed in [Table 2-1](#).

Refer to the following tables for pin details based on interface types:

- [Table 2-2, Power and Ground Specifications](#), on page 25
- [Table 2-3, USB Interfaces](#), on page 25
- [Table 2-4, SIM Interface Signals](#), on page 27
- [Table 2-5, Module Control Signals](#), on page 30

*Note: On any given interface (USB, SIM, etc.), leave unused inputs and outputs as no-connects.*

Note: The host should not drive any signals to the module until > 100 ms from start of power-on sequence.

Table 2-1: Connector Pin Assignments<sup>a</sup>

Pin	Signal name	Pin type <sup>b</sup>	Description	Direction <sup>c</sup>	Active state	Voltage levels (V)		
						Min	Typ	Max
1	WAKE_N	OC	Wake host	Output	Low	-	-	0.10
2	VCC	V	Power supply	Input	Power	3.135	3.30	3.60
3	ANT_CTRL0 / GPIO1	-	(ANT_CTRL0) Customer-defined external switch control for multiple antennas	Output	High	1.35	1.80	1.90
				Output	Low	0	-	0.45
			(GPIO1) General purpose I/O	Input High		1.17	1.80	2.10
				Input Low		-0.30		0.63
				Output High		1.35	1.80	1.90
Output Low		0.00		0.45				
4	GND	V	Ground	Input	Power	-	0	-
5	ANT_CTRL1 / GPIO2 / TX_ON	-	(ANT_CTRL1) Customer-defined external switch control for multiple antennas	Output	High	1.35	1.80	1.90
				Output	Low	0	-	0.45
			(GPIO2) General purpose I/O	Input High		1.17	1.80	2.10
				Input Low		-0.30		0.63
				Output High		1.35	1.80	1.90
				Output Low		0.00		0.45
(TX_ON) Tx activity indicator	Output High		1.35	1.80	1.90			
6	NC	-	No connect	-	-	-	-	
7	USIM2_RST	-	SIM 2 Reset	Output	Low	0	-	0.45
					High	2.55 (3V SIM) 1.35 (1.8V SIM)	-	3.10 (3V SIM) 1.90 (1.8V SIM)
8	USIM_PWR	-	SIM VCC supply	Output	Power	2.90 (3V SIM) 1.75 (1.8V SIM)	3.00 (3V SIM) 1.80 (1.8V SIM)	3.10 (3V SIM) 1.85 (1.8V SIM)
9	GND	V	Ground	Input	Power	-	0	-

**Table 2-1: Connector Pin Assignments<sup>a</sup> (Continued)**

Pin	Signal name	Pin type <sup>b</sup>	Description	Direction <sup>c</sup>	Active state	Voltage levels (V)		
						Min	Typ	Max
10	USIM_DATA	-	SIM IO pin	Input	Low	-0.30 (3V SIM) -0.30 (1.8V SIM)	-	0.60 (3V SIM) 0.35 (1.8V SIM)
					High	2.10 (3V SIM) 1.17 (1.8V SIM)	3.00 (3V SIM) 1.80 (1.8V SIM)	3.30 (3V SIM) 2.10 (1.8V SIM)
				Output	Low	0	-	0.40
					High	2.55 (3V SIM) 1.35 (1.8V SIM)	3.00 (3V SIM) 1.80 (1.8V SIM)	3.10 (3V SIM) 1.90 (1.8V SIM)
11	VREF_1.8V <sup>d</sup>	-	1.8V reference voltage output	Output	Power	1.75	1.80	1.85
12	USIM_CLK	-	SIM Clock	Output	Low	0	-	0.45
					High	2.55 (3V SIM) 1.35 (1.8V SIM)	3.00 (3V SIM) 1.80 (1.8V SIM)	3.10 (3V SIM) 1.90 (1.8V SIM)
13	USIM2_PWR	-	SIM 2 VCC supply	Output	Power	2.90 (3V SIM) 1.75 (1.8V SIM)	3.00 (3V SIM) 1.80 (1.8V SIM)	3.10 (3V SIM) 1.85 (1.8V SIM)
14	USIM_RST	-	SIM Reset	Output	Low	0	-	0.45
					High	2.55 (3V SIM) 1.35 (1.8V SIM)	3.00 (3V SIM) 1.80 (1.8V SIM)	3.10 (3V SIM) 1.90 (1.8V SIM)
15	GND	V	Ground	Input	Power	-	0	-
16	NC	-	No connect	-	-	-	-	-
17	USIM2_CLK	-	SIM 2 Clock	Output	Low	0	-	0.45
					High	2.55 (3V SIM) 1.35 (1.8V SIM)	3.00 (3V SIM) 1.80 (1.8V SIM)	3.10 (3V SIM) 1.90 (1.8V SIM)
18	GND	V	Ground	Input	Power	-	0	-
19	USIM2_DATA	-	SIM 2 IO pin	Input	Low	-0.30 (3V SIM) -0.30 (1.8V SIM)	-	0.60 (3V SIM) 0.35 (1.8V SIM)
					High	2.10 (3V SIM) 1.17 (1.8V SIM)	3.00 (3V SIM) 1.80 (1.8V SIM)	3.30 (3V SIM) 2.10 (1.8V SIM)
				Output	Low	0	-	0.40
					High	2.55 (3V SIM) 1.35 (1.8V SIM)	3.00 (3V SIM) 1.80 (1.8V SIM)	3.10 (3V SIM) 1.90 (1.8V SIM)
20	W_DISABLE_N <sup>e</sup>	PU	Module power state control	Input	Low	-0.30	-	0.40
21	GND	V	Ground	Input	Power	-	0	-
22	SYSTEM_RESET_N <sup>f</sup>	PU	Reset	Input	Low	-0.30	-	0.63
23	USB3.0_TX-		USB 3.0 Transmit Data negative	Output	Differential	-	-	-

Table 2-1: Connector Pin Assignments<sup>a</sup> (Continued)

Pin	Signal name	Pin type <sup>b</sup>	Description	Direction <sup>c</sup>	Active state	Voltage levels (V)		
						Min	Typ	Max
24	VCC	V	Power supply	Input	Power	3.135	3.30	3.60
25	USB3.0_TX+		USB 3.0 Transmit Data positive	Output	Differential	-	-	-
26	GND	V	Ground	Input	Power	-	0	-
27	GND	V	Ground	Input	Power	-	0	-
28	NC	-	No connect	-	-	-	-	-
29	GND	V	Ground	Input	Power	-	0	-
30	NC		Reserved— Host must not repurpose this pin.					
31	USB3.0_RX-		USB 3.0 Receive Data negative	Input	Differential	-	-	-
32	NC		Reserved— Host must not repurpose this pin.					
33	USB3.0_RX+		USB 3.0 Receive Data positive	Input	Differential	-	-	-
34	GND	V	Ground	Input	Power	-	0	-
35	GND	V	Ground	Input	Power	-	0	-
36	USB_D-	-	USB data negative	Input/Output	Differential	-	-	-
37	GND	V	Ground	Input	Power	-	0	-
38	USB_D+	-	USB data positive	Input/Output	Differential	-	-	-
39	VCC	V	Power supply	Input	Power	3.135	3.30	3.60
40	GND	V	Ground	Input	Power	-	0	-
41	VCC	V	Power supply	Input	Power	3.135	3.30	3.60
42	WAN_LED_N	OC	LED Driver	Output	Low	0	-	0.15
43	GND	V	Ground	Input	Power	-	0	-

**Table 2-1: Connector Pin Assignments<sup>a</sup> (Continued)**

Pin	Signal name	Pin type <sup>b</sup>	Description	Direction <sup>c</sup>	Active state	Voltage levels (V)		
						Min	Typ	Max
44	ANT_CTRL2 / GPIO3	-	(ANT_CTRL2) Customer-defined external switch control for multiple antennas	Output	High	1.35	1.80	1.90
				Output	Low	0	-	0.45
			(GPIO3) General purpose I/O	Input High		1.17	1.80	2.10
				Input Low		-0.30		0.63
				Output High		1.35	1.80	1.90
				Output Low		0.00		0.45
45	NC		Reserved— Host must not repurpose this pin.					
46	DPR / GPIO4	-	(DPR) Dynamic power control	Input	High	1.17	1.80	2.10
				Input	Low	-0.30	-	0.63
			(GPIO4) General purpose I/O	Input High		1.17	1.80	2.10
				Input Low		-0.30		0.63
				Output High		1.35	1.80	1.90
				Output Low		0.00		0.45
47	NC		Reserved— Host must not repurpose this pin.					
48	NC	-	No connect	-	-	-	-	-
49	NC		Reserved— Host must not repurpose this pin.					
50	GND	V	Ground	Input	Power	-	0	-
51	NC		Reserved— Host must not repurpose this pin.					
52	VCC	V	Power supply	Input	Power	3.135	3.30	3.60

- a. The host should leave all 'NC' ('no connect') pins unconnected.
- b. A—Analog; I—Input; NP—No pull; O—Digital output; OC—Open Collector; PU—Digital input (internal pull up); PD—Digital output (internal pull down); V—Power or ground
- c. Signal directions are from module's point of view (e.g. 'Output' from module to host, 'Input' to module from host.)
- d. To avoid adverse effects on module operation, do not draw more than 10 mA current on pin 11.
- e. Sierra Wireless recommends that the host implement an open collector driver where a Low signal will turn the module off or enter low power mode, and a high signal will turn the module on or leave low power mode.
- f. The module must not be plugged into a port that supports PCI Express—the pin is used by a PCIE signal, which can cause the module to be in reset state or occasionally reset.



## Power Supply

The host provides power to the MC7411 through multiple power and ground pins as summarized in [Table 2-2](#).

The host must provide safe and continuous power at all times; the module does not have an independent power supply, or protection circuits to guard against electrical issues.

**Table 2-2: Power and Ground Specifications**

Name	Pins	Specification	Min	Typ	Max	Units
VCC	2, 24, 39, 41, 52	Voltage range	See <a href="#">Table 2-1 on page 21</a> .			
		Ripple voltage	-	-	100	mV <sub>pp</sub>
GND	4, 9, 15, 18, 21, 26, 27, 29, 34, 35, 37, 40, 43, 50	-	-	0	-	V

## USB Interface

---

**Important:** *Host support for USB 2.0 or USB 3.0 signals is required.*

---

The device supports USB 2.0 (high speed) and USB 3.0 interfaces for communication between the host and module.

---

**Important:** *USB 2.0 full speed and low speed are not supported.*

---

The interfaces comply with the [10] *Universal Serial Bus Specification, Rev 2.0* and [11] *Universal Serial Bus Specification, Rev 3.0* (subject to limitations described below), and the host device must be designed to the same standards.

**Table 2-3: USB Interfaces**

	Name	Pin	Description
USB 2.0	USB_D-	36	USB data negative
	USB_D+	38	USB data positive
USB 3.0	USB3.0_TX <sup>-a</sup>	23	Transmit data negative
	USB3.0_TX <sup>+a</sup>	25	Transmit data positive
	USB3.0_RX <sup>-a</sup>	31	Receive data negative
	USB3.0_RX <sup>+a</sup>	33	Receive data positive

a. Signal directions (Tx/Rx) are from device's point of view.

## Host-side Recommendation

*Note: When designing the host device, careful PCB layout practices must be followed.*

Sierra Wireless recommends the host platform include series capacitors on the USB3.0 Rx signals (no capacitors required for the Tx signals), as shown below.

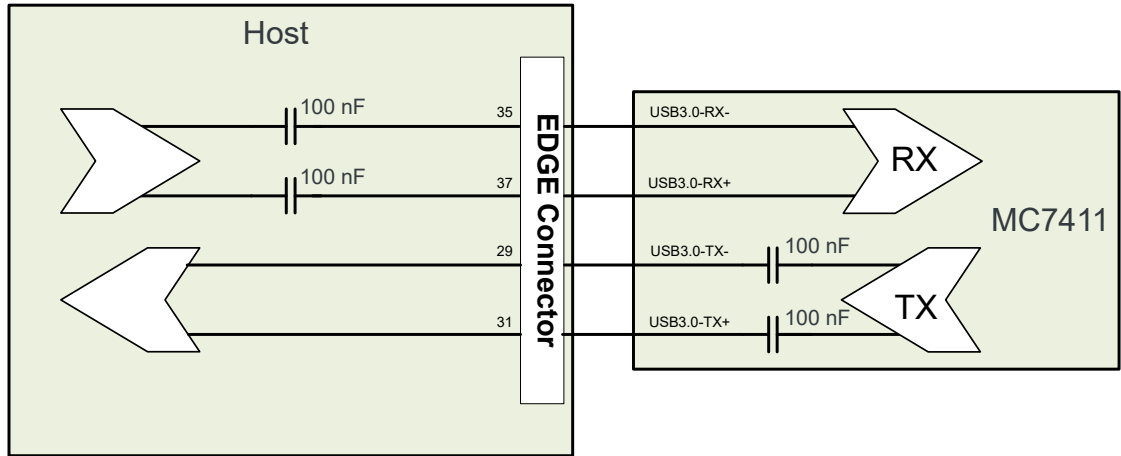


Figure 2-4: Recommended Capacitor Placement for USB3.0 Signals

## USB Throughput Performance

This device has been designed to achieve optimal performance and maximum throughput using USB superspeed mode (USB 3.0). Although the device may operate with a high speed host, throughput performance will be on an “as is” basis and needs to be characterized by the [OEM](#). Note that throughput will be reduced and may vary significantly based on [packet](#) size, host interface, and [firmware](#) revision.

## User-developed Drivers

Details for user-developed USB drivers are described in [4] *AirCard/AirPrime USB Driver Developer’s Guide (Doc# 2130634)*.

## SIM Interface

*Note: Host support for SIM interface signals is required.*

The module supports up to two SIMs (Subscriber Identity Module) (1.8 V or 3 V). Each SIM holds information for a unique account, allowing users to optimize their use of each account on multiple devices.

The [SIM](#) pins ([Table 2-4](#)) provide the connections necessary to interface to SIM sockets located on the host device as shown in [Figure 2-5 on page 28](#). Voltage levels over this interface comply with 3GPP standards.

---

*Note: Sprint requires the use of ISIM. USIM and CSIM are not supported per Sprint implementation.*

---

The types of SIM connectors used depends on how the host device exposes the SIM sockets.

**Table 2-4: SIM Interface Signals**

SIM	Name	Pin	Description	SIM contact number <sup>a</sup>	Notes
Primary	USIM_PWR	8	SIM voltage	1	Power supply for SIM
	USIM_DATA	10	Data I/O	7	Bi-directional SIM data line
	USIM_CLK	12	Serial clock	3	Serial clock for SIM data
	USIM_RST	14	Reset	2	Active low SIM reset
	USIM_GND		Ground	5	Ground reference USIM_GND is common to module ground
Secondary	USIM2_PWR	13	SIM voltage	2	Power supply for SIM 2
	USIM2_DATA	19	Data I/O	3	Bi-directional SIM 2 data line
	USIM2_CLK	17	Serial clock	7	Serial clock for SIM 2 data
	USIM2_RST	7	Reset	1	Active low SIM 2 reset
	USIM2_GND		SIM indication	-	Ground reference USIM2_GND is common to module ground

a. See [Figure 2-6 on page 28](#) for SIM card contacts.

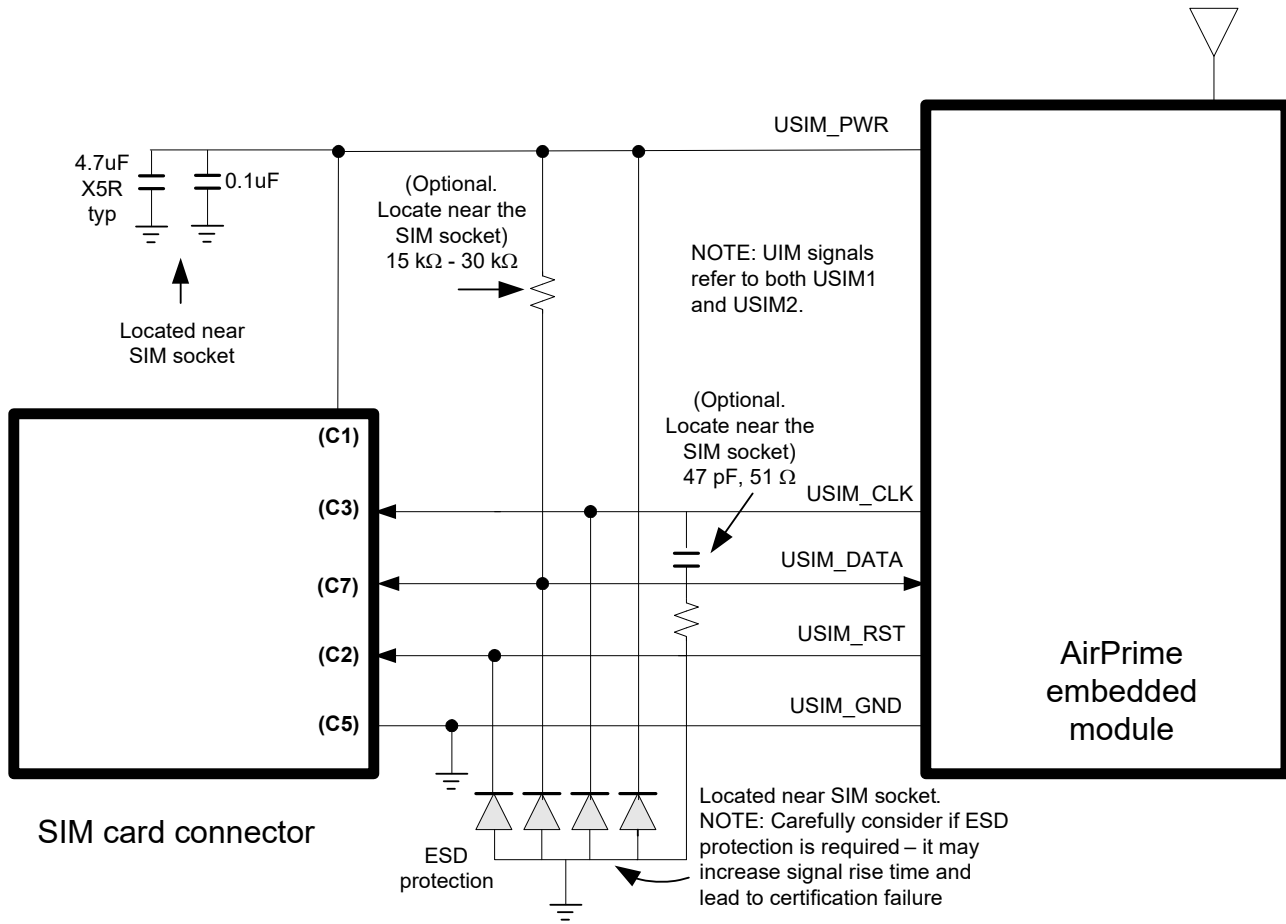


Figure 2-5: SIM Application Interface (applies to both SIM interfaces)

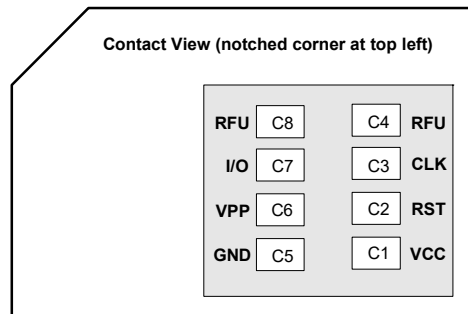


Figure 2-6: SIM Card Contacts (Contact View)

---

## SIM Implementation

---

*Note: For interface design requirements, refer to ETSI TS 102 230 V5.5.0, section 5.2.*

---

When designing the remote SIM interface, you *must* make sure that SIM signal integrity is not compromised.

Some design recommendations include:

- Total impedance of the VCC and GND connections to the SIM, measured at the module connector, should be less than 1  $\Omega$  to minimize voltage drop (includes any trace impedance and lumped element components—inductors, filters, etc.).
- Position the SIM connector  $\leq 10$  cm from the module. If a longer distance is required because of the host device design, use a shielded wire assembly—connect one end as close as possible to the SIM connector and the other end as close as possible to the module connector. The shielded assembly may help shield the SIM interface from system noise.
- Reduce crosstalk on the USIM\_DATA and USIM2\_DATA lines to reduce the risk of failures during GCF approval testing.
- Avoid routing the clock and data lines for each SIM (USIM\_CLK/USIM\_DATA, USIM2\_CLK/USIM2\_DATA) in parallel over distances  $> 2$  cm—cross-coupling of a clock and data line pair can cause failures.
- 3GPP has stringent requirements for I/O rise time ( $< 1$   $\mu$ s), signal level limits, and noise immunity—consider this carefully when developing your PCB layout.
  - Keep signal rise time  $< 1$   $\mu$ s—keep SIM signals as short as possible, and keep very low capacitance traces on the data and clock signals (USIM\_CLK, USIM\_DATA, USIM2\_CLK, USIM2\_DATA). High capacitance increases signal rise time, potentially causing your device to fail certification tests.
- Add external pull-up resistors (15 k $\Omega$ –30 k $\Omega$ ), if required, between the data and power lines for each SIM (USIM\_DATA/USIM\_PWR, USIM2\_DATA/USIM2\_PWR) to optimize the signal rise time.
- VCC line should be decoupled close to the SIM socket.
- SIM is specified to run up to 5 MHz (SIM clock rate). Take note of this speed in the placement and routing of the SIM signals and connectors.
- You must decide whether additional ESD protection is required for your product, as it is dependent on the application, mechanical enclosure, and SIM connector design. The SIM pins will require additional ESD protection if they are exposed to high ESD levels (i.e. can be touched by a user).
- Putting optional decoupling capacitors on the SIM power lines (USIM\_PWR, USIM2\_PWR) near the SIM sockets is recommended—the longer the trace length (impedance) from the socket to the module, the greater the capacitance requirement to meet compliance tests.
- Putting an optional series capacitor and resistor termination (to ground) on the clock lines (USIM\_CLK, USIM2\_CLK) at the SIM sockets to reduce EMI and increase signal integrity is recommended if the trace length between the SIM socket and module is long—47 pF and 50  $\Omega$  resistor are recommended.
- Test your first prototype host hardware with a Comprion IT<sup>3</sup> SIM test device at a suitable testing facility.

## Control Interface (Signals)

The MC7411 provides signals for:

- Waking the host when specific events occur
- Host control of module power
- LED driver output

*Note: Host support for W\_DISABLE\_N is required, and support for other signals in [Table 2-5](#) is optional.*

These signals are summarized in [Table 2-5](#) and paragraphs that follow.

**Table 2-5: Module Control Signals**

Name	Pin	Description	Type <sup>a</sup>
WAKE_N	1	Wake host	OC
W_DISABLE_N	20	On/off signal <sup>b</sup>	PU
SYSTEM_RESET_N	22	Reset module (input from host)	PU
WAN_LED_N	42	LED driver	OC

a. OC—Open Collector; PU—Digital pin Input, internal pull up

b. W\_DISABLE\_N causes the module to either turn off/on or enter/leave low power mode (software configurable).

### WAKE\_N — Wake Host

*Note: Host support for WAKE\_N is optional.*

The module uses WAKE\_N to wake the host when specific events occur.

The host must provide a 5 k $\Omega$ –100 k $\Omega$  pullup resistor that considers total line capacitance (including parasitic capacitance) such that when WAKE\_N is deasserted, the line will rise to 3.3 V (Host power rail) in < 100 ns.

See [Figure 2-7 on page 31](#) for a recommended implementation.

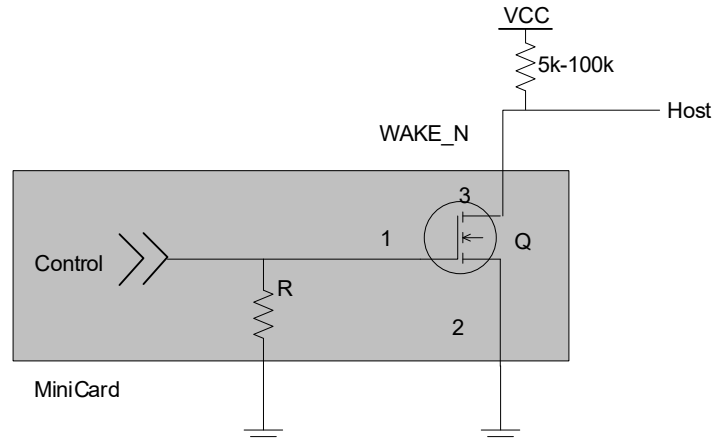


Figure 2-7: Recommended WAKE\_N Connection

## W\_DISABLE\_N — Wireless Disable

*Note: Host support for W\_DISABLE\_N is required.*

The host uses W\_DISABLE\_N to cause the module to either turn off/on or enter/leave low power mode, as described in [Table 2-6](#).

For timing details, see [Power-On/Off Timing on page 48](#).

Table 2-6: W\_DISABLE\_N Usage

Name	Pin	Description / notes
W_DISABLE_N	20	Powers the module on/off (or enters/leaves low power mode) <sup>a</sup> . <ul style="list-style-type: none"> <li>• Leave as not connected or drive HIGH to keep the modem always on</li> <li>• Drive LOW to turn the module off (or enter low power mode).</li> <li>• An AT command may be used to configure this signal so the module enters low power mode instead of powering off.</li> </ul>

- a. Sierra Wireless recommends that the host implement an open collector driver where a Low signal will turn the module off or enter low power mode, and a high signal will turn the module on or leave low power mode.

## WAN\_LED\_N—LED Output

*Note: Host support for WAN\_LED\_N is optional.*

The module drives the LED output according to *[9] PCI Express Mini Card Electromechanical Specification Revision 2.1*.

The LED configuration is customizable. Contact your Sierra Wireless account representative for details.

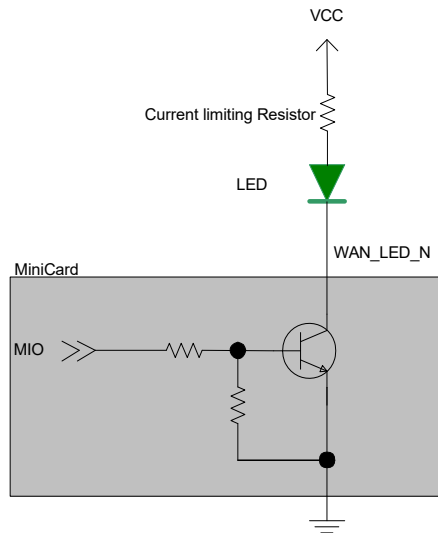


Figure 2-8: Example LED

## SYSTEM\_RESET\_N—Reset Input

*Note: Host support for SYSTEM\_RESET\_N is optional.*

SYSTEM\_RESET\_N has an internal 1.8 V internal pull up that requires an open collector input from the host.

To reset the module, pulse SYSTEM\_RESET\_N with a logic low signal for 3 seconds (min) to 5.5 seconds (max) — if the signal is held low for more than 5.5 seconds, the reset cycle restarts, and if it is held low through several cycles, the module will not fully boot.

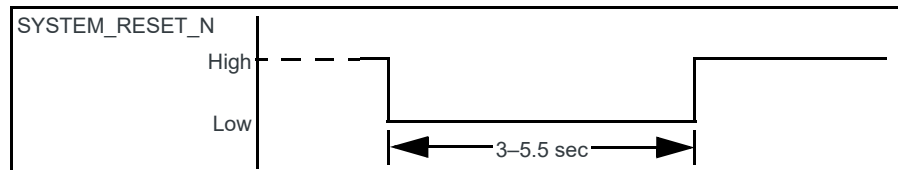


Figure 2-9: SYSTEM\_RESET\_N reset timing

Otherwise, leave the signal floating or high impedance (the module will remain operational because the module has a pull-up resistor to an internal reference voltage (1.8V) in place.).

*Note: The module must not be plugged into a port that supports PCI Express— SYSTEM\_RESET\_N is carried on a pin that is used for a PCIe signal, which can cause the module to be in reset state or occasionally reset.*



## Tx Activity Indicator (TX\_ON)

The module provides a digital output signal to indicate the occurrence of Tx activity.

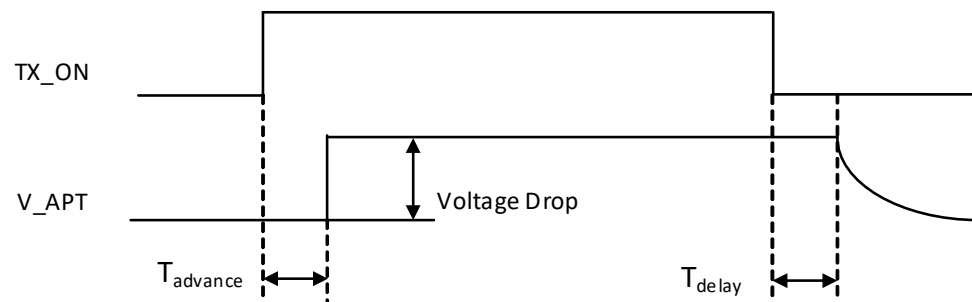
**Table 2-7: Tx Activity Indicator States**

Pin	Signal name	Direction <sup>a</sup>	I/O type	Module state	Signal State
5	TX_ON	Output	1.8V	During Tx activity	High
				No Tx	Low

a. Signal direction with respect to module—TX\_ON (pin 5) is an output from the module to the host.

**Table 2-8: Tx Activity Indicator Characteristics**

Parameter		Min	Max
T <sub>advance</sub>	LTE	89 μs	—
	UMTS	46 μs	—
T <sub>delay</sub>		—	699 ms



\* V<sub>APT</sub> – Internal power source for RF PA

Figure 2-10: TX\_ON State During Transmission

## Antenna Control

*Note: Host support for antenna control signals is optional.*

The MC7411 Mini Card provides three output signals (listed in [Table 2-9](#)) that may be used for host designs that incorporate tunable antennas.

Customers can configure these signals as appropriate for the operating band(s) using the command AT!ANTSEL. (See [2] *AirPrime EM75xx and EM/MC74x1 AT Command Reference (Doc# 41111748)* for details.)

---

*Note: To avoid detuning the PCC band, customers must make sure there are no GPIO state conflicts between the PCC and SCC for all supported CA combinations.*

---

**Table 2-9: Antenna Control Signals**

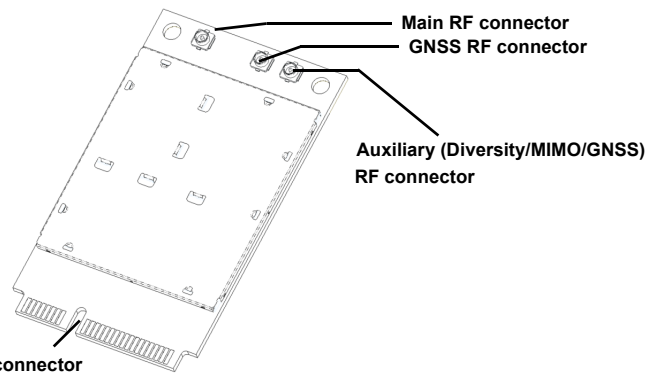
<b>Name</b>	<b>Pin</b>	<b>Description</b>
ANT_CTRL0	3	Customer-defined external switch control for tunable antennas
ANT_CTRL1	5	
ANT_CTRL2	44	

## >> 3: RF Specifications

The MC7411 includes three RF connectors for use with host-supplied antennas:

- Main RF connector—Tx/Rx path
- GNSS RF connector—Dedicated GPS, GLONASS, BeiDou, Galileo, and QZSS
- Auxiliary RF connector—Diversity, MIMO, GPS, GLONASS, BeiDou, Galileo, and QZSS

The module does not have integrated antennas.



I/O connector

Figure 3-1: Module Connectors (Preliminary shield design, subject to change)

## RF Connections

When attaching antennas to the module:

- Use Hirose U.FL connectors (3 mm x 3 mm, low profile; model U.FL #CL331-0471-0-10) to attach antennas to connection points on the module, as shown in [Figure 3-1](#) on page 35.

---

*Note: To **disconnect** the antenna, make sure you use the Hirose U.FL connector removal tool (P/N UFL-LP-N-2(01)) to prevent damage to the module or coaxial cable assembly.*

---

- Match coaxial connections between the module and the antenna to 50  $\Omega$ .
  - Minimize RF cable losses to the antenna; the recommended maximum cable loss for antenna cabling is 0.5 dB.
  - To ensure best thermal performance, mounting holes must be used to attach (ground) the device to the main PCB ground or a metal chassis.
- 

*Note: If the antenna connection is shorted or open, the modem will not sustain permanent damage.*

---

## Shielding

The module is fully shielded to protect against EMI and the shield must not be removed.

## Antenna and Cabling

When selecting the antenna and cable, it is critical to RF performance to match antenna gain and cable loss.

---

*Note: For detailed electrical performance criteria, see [Appendix A: Antenna Specification](#) on page 59.*

---

## Choosing the Correct Antenna and Cabling

When matching antennas and cabling:

- The antenna (and associated circuitry) should have a nominal impedance of 50  $\Omega$  with a return loss of better than 10 dB across each frequency band of operation.
- The system gain value affects both radiated power *and* regulatory (FCC, IC, CE, etc.) test results.

## Designing Custom Antennas

Consider the following points when designing custom antennas:

- A skilled RF engineer should do the development to ensure that the RF performance is maintained.
- If both CDMA and UMTS modules will be installed in the same platform, you may want to develop separate antennas for maximum performance.

## Determining the Antenna's Location

When deciding where to put the antennas:

- Antenna location may affect RF performance. Although the module is shielded to prevent interference in most applications, the placement of the antenna is still very important—if the host device is insufficiently shielded, high levels of broadband or spurious noise can degrade the module's performance.
- Connecting cables between the module and the antenna must have 50  $\Omega$  impedance. If the impedance of the module is mismatched, RF performance is reduced significantly.
- Antenna cables should be routed, if possible, away from noise sources (switching power supplies, LCD assemblies, etc.). If the cables are near the noise sources, the noise may be coupled into the RF cable and into the antenna. See [Interference From Other Wireless Devices on page 37](#).

## Disabling the Diversity Antenna

Certification testing of a device with an integrated MC7411 may require the module's main and diversity antennas to be tested separately.

To facilitate this testing, receive diversity can be enabled/disabled using AT commands:

- !RXDEN—Used to enable/disable diversity for single-cell call (no carrier aggregation).
- !LTERXCONTROL—Used to enable/disable paths (in carrier aggregation scenarios) after a call is set up.

---

**Important:** *LTE networks expect modules to have more than one antenna enabled for proper operation. Therefore, customers must not commercially deploy their systems with the diversity antenna disabled.*

---

For details, see [AirPrime EM75xx and EM/MC74x1 AT Command Reference \(Doc# 41111748\)](#).

---

*Note: A diversity antenna is used to improve connection quality and reliability through redundancy. Because two antennas may experience difference interference effects (signal distortion, delay, etc.), when one antenna receives a degraded signal, the other may not be similarly affected.*

---

## Ground Connection

When connecting the module to system ground:

- Prevent noise leakage by establishing a very good ground connection to the module through the host connector.
- Connect to system ground using the two mounting holes at the top of the module (shown in [Figure 3-1](#) on page 35).
- Minimize ground noise leakage into the RF.  
Depending on the host board design, noise could *potentially* be coupled to the module from the host board. This is mainly an issue for host designs that have signals traveling along the length of the module, or circuitry operating at both ends of the module interconnects.

## Interference and Sensitivity

Several interference sources can affect the module's RF performance (RF desense). Common sources include power supply noise and device-generated RF.

RF desense can be addressed through a combination of mitigation techniques ([Methods to Mitigate Decreased Rx Performance on page 38](#)) and radiated sensitivity measurement ([Radiated Sensitivity Measurement on page 39](#)).

---

*Note: The MC7411 is based on ZIF (Zero Intermediate Frequency) technologies. When performing EMC (Electromagnetic Compatibility) tests, there are no IF (Intermediate Frequency) components from the module to consider.*

---

## Interference From Other Wireless Devices

Wireless devices operating inside the host device can cause interference that affects the module.

To determine the most suitable locations for antennas on your host device, evaluate each wireless device's radio system, considering the following:

- Any harmonics, sub-harmonics, or cross-products of signals generated by wireless devices that fall in the module's Rx range may cause spurious response, resulting in decreased Rx performance.

- The Tx power and corresponding broadband noise of other wireless devices may overload or increase the noise floor of the module's receiver, resulting in Rx desense.

The severity of this interference depends on the closeness of the other antennas to the module's antenna. To determine suitable locations for each wireless device's antenna, thoroughly evaluate your host device's design.

## Host-generated RF Interference

All electronic computing devices generate RF interference that can negatively affect the receive sensitivity of the module.

Proximity of host electronics to the antenna in wireless devices can contribute to decreased Rx performance. Components that are most likely to cause this include:

- Microprocessor and memory
- Display panel and display drivers
- Switching-mode power supplies

## Device-generated RF Interference

The module can cause interference with other devices. Wireless devices such as AirPrime embedded modules transmit in bursts (pulse transients) for set durations (RF burst frequencies). Hearing aids and speakers convert these burst frequencies into audible frequencies, resulting in audible noise.

## Methods to Mitigate Decreased Rx Performance

It is important to investigate sources of localized interference early in the design cycle. To reduce the effect of device-generated RF on Rx performance:

- Put the antenna as far as possible from sources of interference. The drawback is that the module may be less convenient to use.
- Shield the host device. The module itself is well shielded to avoid external interference. However, the antenna cannot be shielded for obvious reasons. In most instances, it is necessary to employ shielding on the components of the host device (such as the main processor and parallel bus) that have the highest RF emissions.
- Filter out unwanted high-order harmonic energy by using discrete filtering on low frequency lines.
- Form shielding layers around high-speed clock traces by using multi-layer PCBs.
- Route antenna cables away from noise sources.

## Radiated Spurious Emissions (RSE)

When designing an antenna for use with AirPrime embedded modules, the host device with an AirPrime embedded module must satisfy any applicable standards/local regulatory bodies for radiated spurious emission (RSE) for receive-only mode and for transmit mode (transmitter is operating).

Note that antenna impedance affects radiated emissions, which must be compared against the conducted 50-ohm emissions baseline. (AirPrime embedded modules meet the 50-ohm conducted emissions requirement.)

---

## Radiated Sensitivity Measurement

A wireless host device contains many noise sources that contribute to a reduction in Rx performance.

To determine the extent of any receiver performance desensitization due to self-generated noise in the host device, over-the-air (OTA) or radiated testing is required. This testing can be performed by Sierra Wireless or you can use your own OTA test chamber for in-house testing.

## Sierra Wireless' Sensitivity Testing and Desensitization Investigation

Although AirPrime embedded modules are designed to meet network operator requirements for receiver performance, they are still susceptible to various performance inhibitors.

As part of the Engineering Services package, Sierra Wireless offers modem OTA sensitivity testing and desensitization (desense) investigation. For more information, contact your account manager or the Sales Desk (see [Contact Information on page 3](#)).

---

*Note: Sierra Wireless has the capability to measure TIS (Total Isotropic Sensitivity) and TRP (Total Radiated Power) according to CTIA's published test procedure.*

---

## Sensitivity vs. Frequency

For UMTS bands, sensitivity is defined as the input power level in dBm that produces a BER (Bit Error Rate) of 0.1%. Sensitivity should be measured at all UMTS frequencies across each band.

For LTE bands, sensitivity is defined as the RF level at which throughput is 95% of maximum.

## Supported Frequencies

The MC7411 supports:

- Multiple-band LTE—See [Table 3-1 on page 40](#) (supported bands) and [Table 3-2 on page 40](#) (LTE bandwidth support).
- LTE Advanced carrier aggregation—See [Table 1-2 on page 11](#) and [Table 1-3 on page 12](#) for details.
- Multiple-band WCDMA/HSPA/HSPA+/DC-HSPA+—See [Table 3-3 on page 41](#).
- Multiple-band WCDMA receive diversity
- GPS, GLONASS, BeiDou, Galileo, QZSS—See [Table 3-7 on page 43](#).
- Inter-RAT and inter-frequency cell reselection and handover between supported frequency bands

**Table 3-1: LTE Frequency Bands**

Band	Frequency (Tx)	Frequency (Rx)
B2	1850–1910 MHz	1930–1990 MHz
B4	1710–1755 MHz	2110–2155 MHz
B5	824–849 MHz	869–894 MHz
B7	2500–2570 MHz	2620–2690 MHz
B12	699–716 MHz	729–746 MHz
B13	777–787 MHz	746–756 MHz
B14	788–798 MHz	758–768 MHz
B25	1850–1915 MHz	1930–1995 MHz
B26	814–849 MHz	859–894 MHz
B41	2496–2690 MHz (TDD)	
B42	3400–3600 MHz (TDD)	
B43	3600–3800 MHz (TDD)	
B48	3550–3700 MHz (TDD)	
B66	1710–1780 MHz	2110–2200 MHz
B71	663–698 MHz	617–652 MHz

**Table 3-2: LTE Bandwidth Support<sup>a</sup>**

Band	1.4 MHz	3 MHz	5 MHz	10 MHz	15 MHz	20 MHz
B2	✓	✓	✓	✓	✓ <sup>b</sup>	✓ <sup>b</sup>
B4	✓	✓	✓	✓	✓	✓
B5	✓	✓	✓	✓ <sup>b</sup>	✗	✗
B7	✗	✗	✓	✓	✓ <sup>c</sup>	✓ <sup>b,c</sup>
B12	✓	✓	✓ <sup>b</sup>	✓ <sup>b</sup>	✗	✗
B13	✗	✗	✓ <sup>b</sup>	✓ <sup>b</sup>	✗	✗
B14	✗	✗	✓ <sup>b</sup>	✓ <sup>b</sup>	✗	✗
B25	✓	✓	✓	✓	✓ <sup>b</sup>	✓ <sup>b</sup>
B26	✓	✓	✓	✓ <sup>b</sup>	✓ <sup>b</sup>	✗
B41	✗	✗	✓	✓	✓	✓
B42	✗	✗	✓	✓	✓	✓
B43	✗	✗	✓	✓	✓	✓
B48	✗	✗	✓	✓	✓	✓



**Table 3-2: LTE Bandwidth Support<sup>a</sup> (Continued)**

Band	1.4 MHz	3 MHz	5 MHz	10 MHz	15 MHz	20 MHz
B66	✗	✗	✓	✓	✓	✓
B71	✗	✗	✓	✓	✓	✓

- Table contents are derived from 3GPP TS 36.521-1 v12.6.0, table 5.4.2.1-1.
- Bandwidth for which a relaxation of the specified UE receiver sensitivity requirement (Clause 7.3 of 3GPP TS 36.521-1 v12.6.0) is allowed.
- Bandwidth for which uplink transmission bandwidth can be restricted by the network for some channel assignments in FDD/TDD co-existence scenarios in order to meet unwanted emissions requirements (Clause 6.6.3.2 of 3GPP TS 36.521-1 v12.6.0).

**Table 3-3: WCDMA Frequency Bands Support**

Band	Frequency (Tx)	Frequency (Rx)
Band 2	1850–1910 MHz	1930–1990 MHz
Band 4	1710–1755 MHz	2110–2155 MHz
Band 5	824–849 MHz	869–894 MHz

## Conducted Rx Sensitivity / Tx Power

Note: Values in the following tables are preliminary, pending transceiver matching/testing.

**Table 3-4: Conducted Rx (Receive) Sensitivity—LTE Bands<sup>a</sup>**

LTE bands		Conducted Rx sensitivity (dBm)			
		Primary (Typ)	Secondary (Typ)	SIMO (Typ)	SIMO <sup>b</sup> (Worst case)
B2	Full RB on downlink; BW: 10 MHz <sup>c</sup>	-97	-97	-99.5	-94.3
B4		-97	-97	-99.5	-96.3
B5		-98.5	-99	-101.5	-94.3
B7		-97.5	-96.5	-99	-94.3
B12		-100	-99	-102	-93.3
B13		-98.5	-99	-101.5	-93.3
B14		-99.5	-99	-102.5	-93.3
B25		-97	-97	-99.5	-92.8
B26		-98	-99	-101	-93.8
B41		-96.5	-97	-99	-94.3
B42		-99	-96.5	-99	-95.0
B43		-97.5	-98	-100.5	-95.0
B48		-98	-98	-101	-95.3
B66		-97	-96.5	-99	-95.8
B71		-100	-97	-101	-93.5

- a. Preliminary values, pending validation
- b. Per 3GPP specification
- c. Sensitivity values scale with bandwidth:  
 $x\_MHz\_Sensitivity = 10\_MHz\_Sensitivity - 10 \cdot \log(10 \text{ MHz}/x\_MHz)$   
 Note: Bandwidth support is dependent on firmware version.

**Table 3-5: Conducted Rx (Receive) Sensitivity—UMTS Bands<sup>a</sup>**

UMTS bands		Conducted Rx sensitivity (dBm)		
		Primary (Typical)	Secondary (Typical)	Primary/Secondary (Worst case) <sup>b</sup>
Band 2	0.1% BER 12.2 kbps	-110.5	-110.5	-104.7
Band 4		-110	-100	-106.7
Band 5		-111.5	-112	-104.7

- a. Preliminary values, pending validation
- b. Per 3GPP specification

**Table 3-6: Conducted Tx (Transmit) Power Tolerances<sup>a</sup>**

Bands	Conducted Tx power	Notes
<b>LTE</b>		
LTE bands 2, 4, 25, 26, 66	22.5 dBm $\pm$ 1 dB	
LTE band 5	Single cell: 22.5 dBm $\pm$ 1 dB UL CA: 23.3 dBm $\pm$ 1 dB	0.8 dB offset for UL CA hardcoded by chipset manufacturer
LTE bands 7, 41, 42, 43, 48	Single cell: 22 dBm $\pm$ 1 dB UL CA: 22.8 dBm $\pm$ 1 dB	
LTE bands 12, 13, 14, 71	23 dBm $\pm$ 1 dB	
<b>UMTS</b>		
Band 2 (UMTS 1900 12.2 kbps)	23 dBm $\pm$ 1 dB	Connectorized (Class 3)
Band 4 (AWS 1700/2100 12.2 kbps)	23 dBm $\pm$ 1 dB	
Band 5 (UMTS 850 12.2 kbps)	23 dBm $\pm$ 1 dB	

a. Preliminary values, pending validation

## GNSS Specifications

Note: For detailed electrical performance criteria, see [Recommended GNSS Antenna Specifications on page 61](#).

**Table 3-7: GNSS Specifications<sup>a</sup>**

Parameter/feature	Description
Satellite channels	Maximum 30 channels (16 GPS, 14 GLONASS), simultaneous tracking
Protocols	NMEA 0183 V3.0
Acquisition time <sup>b</sup>	Hot start: 1 s Warm start: 29 s Cold start: 32 s
Accuracy	Horizontal: < 5 m (50%); < 9 m (95%)
Sensitivity	Tracking <sup>c</sup> : -160 dBm Acquisition <sup>d</sup> (Assisted): -158 dBm Acquisition (Standalone): -145 dBm
Operational limits	Altitude <18288 m (60,000 ft), or Velocity <1852 km/h (1000 knots) (Either limit may be exceeded, but not both.)

a. Preliminary values, pending validation

b. Acquisition times measured with signal strength = -135 dBm

c. Tracking sensitivity is the lowest GNSS signal level for which the device can still detect an in-view satellite 50% of the time when in sequential tracking mode.

d. Acquisition sensitivity is the lowest GNSS signal level for which the device can still detect an in-view satellite 50% of the time.

The module includes an internal GNSS LNA.

## >> 4: Power

### Power Consumption

Power consumption measurements in the tables below are for the MC7411 Mini Card module connected to the host PC via USB.

The module does not have its own power source and depends on the host device for power. For a description of input voltage requirements, see [Power Supply on page 25](#).

**Table 4-1: Averaged Standby DC Power Consumption**

Signal	Description	Bands <sup>a</sup>	Current <sup>b</sup>		Notes / configuration
			Typ	Unit	
VCC	<b>Standby current consumption (Sleep mode activated<sup>c</sup>)</b>				
	LTE	LTE bands	1.7	mA	DRX cycle = 8 (2.56 s)
	HSPA / WCDMA	UMTS bands	1.8	mA	DRX cycle = 8 (2.56 s)
	<b>Standby current consumption<sup>d</sup> (Sleep mode deactivated<sup>c</sup>)</b>				
	LTE	LTE bands	33	mA	DRX cycle = 8 (2.56 s)
	HSPA / WCDMA	UMTS bands	33	mA	DRX cycle = 8 (2.56 s)
	<b>Low Power Mode (LPM)/Offline Mode<sup>d</sup> (Sleep mode activated<sup>c</sup>)</b>				
	RF disabled, but module is operational		1.5	mA	
	<b>Low Power Mode (LPM)/Offline Mode<sup>d</sup> (Sleep mode deactivated<sup>c</sup>)</b>				
	RF disabled, but module is operational		33	mA	
	<b>Leakage current</b>				
	Module powered off— Full_Card_Power_Off# is Low, and VCC is supplied		47	μA	

- For supported bands, see [Table 3-1, LTE Frequency Bands](#), on page 40 and [Table 3-3, WCDMA Frequency Bands Support](#), on page 41.
- Measured at 25°C/nominal 3.3 V voltage
- Assumes USB bus is fully suspended during measurements
- LPM and standby power consumption will increase when LEDs are enabled. To reduce power consumption, configure LEDs to remain off while in standby and LPM modes.

Table 4-2: Averaged Call Mode DC Power Consumption

Description	Tx power	Current <sup>a</sup>		Notes
		Typ	Unit	
LTE	0 dBm	485	mA	CA 300/100 Mbps, 20 MHz+20 MHz BW
		330	mA	150/50 Mbps, 20 MHz BW
	Max Tx power	995	mA	CA 300/100 Mbps, 20 MHz+20 MHz BW
		872	mA	150/50 Mbps, 20 MHz BW
DC-HSPA/HSPA	0 dBm	220	mA	All speeds
	Max Tx power	550	mA	All speeds
Peak current		1.39	A	All LTE/WCDMA bands

a. Measured at 25°C/nominal 3.3 V voltage

Table 4-3: Miscellaneous DC Power Consumption

Signal	Description	Current / Voltage			Unit	Notes / configuration
		Min	Typ	Max		
VCC	USB active current	—	15	20	mA	High speed USB connection, $C_L = 50$ pF on D+ and D- signals
	Inrush current	—	2.2	2.5	A	<ul style="list-style-type: none"> <li>Assumes power supply turn on time &gt; 100<math>\mu</math>s</li> <li>Dependent on host power supply rise time.</li> </ul>
	Maximum current	—	—	1.5	A	<ul style="list-style-type: none"> <li>Across all bands, all temperature ranges</li> <li>3.3 V supply</li> </ul>
GNSS Signal connector	Active bias on GNSS port	—	—	100	mA	Voltage applied to the GNSS antenna to power electronics inside the antenna (GNSS RF connector in <a href="#">Figure 3-1</a> on page 35).
		3.05	3.15	3.25	V	

## Module Power States

The module has four power states, as described in [Table 4-4](#).

**Table 4-4: Module Power States**

State	Details	Host is powered	Module is powered	USB interface active	Radio enabled
<b>Normal (Default state)</b>	<ul style="list-style-type: none"> <li>Module is active</li> <li>Default state when VCC is first applied in the absence of W_DISABLE_N control</li> <li>Module is capable of placing/receiving calls, or establishing data connections on the wireless network</li> <li>Current consumption is affected by several factors, including:                             <ul style="list-style-type: none"> <li>Radio band being used</li> <li>Transmit power</li> <li>Receive gain settings</li> <li>Data rate</li> <li>Number of active Tx time slots</li> </ul> </li> </ul>	✓	✓	✓	✓
<b>Low power ('Airplane mode')</b>	<ul style="list-style-type: none"> <li>Module is active</li> <li>Module enters this state:                             <ul style="list-style-type: none"> <li>Under host interface control:                                     <ul style="list-style-type: none"> <li>Host issues AT+CFUN=0 ([1] AT Command Set for User Equipment (UE) (Release 6) (Doc# 3GPP TS 27.007)), or</li> <li>Host issues AT!PCOFFEN=0 (configures the modem to enter low power mode when W_DISABLE_N is asserted), and then asserts W_DISABLE_N</li> </ul> </li> <li>Automatically, when critical temperature or voltage trigger limits have been reached</li> </ul> </li> </ul>	✓	✓	✓	✗
<b>Sleep</b>	<ul style="list-style-type: none"> <li>Normal state of module between calls or data connections</li> <li>Module cycles between wake (polling the network) and sleep, at network provider-determined interval.</li> </ul>	✓	✓	✗ <sup>a</sup>	✗
<b>Disconnected</b>	<ul style="list-style-type: none"> <li>Host power source is disconnected from the module and all voltages associated with the module are at 0 V.</li> </ul>	✗	✗	✗ <sup>b</sup>	✗

a. USB interface is suspended  
 b. USB interface is disconnected

## Power State Transitions

The module uses state machines to monitor supply voltage and operating temperature, and notifies the host when critical threshold limits are exceeded. (See [Table 4-5](#) for trigger details and [Figure 4-1](#) for state machine behavior.)

Power state transitions may occur:

- Automatically, when critical supply voltage or module temperature trigger levels are encountered.
- Under host control, using available AT commands in response to user choices (for example, opting to switch to airplane mode) or operating conditions.

**Table 4-5: Power State Transition Trigger Levels**

Transition	Voltage		Temperature <sup>a</sup>		Notes
	Trigger	V <sup>b</sup>	Trigger	°C	
Normal to Low Power	VOLT_HI_CRIT	3.8	TEMP_LO_CRIT	-45	• RF activity suspended
	VOLT_LO_CRIT	2.9	TEMP_HI_CRIT	110	
Low Power to Normal	VOLT_HI_NORM	3.5	TEMP_LO_NORM	-30	• RF activity resumed
Low Power to Normal or Remain in Normal (Remove warnings)	VOLT_LO_NORM	3.05	TEMP_HI_NORM	70	
Normal (Issue warning)	VOLT_LO_WARN	2.95	TEMP_HI_WARN	85	• In the TEMP_HI_WARN state, the module may have reduced performance (Class B temp. range).
Power off/on (Host-initiated)	-	-	-	-	• Power off recommended when supply voltage or module operating temperature is critically low or high.

- a. Module-reported temperatures at the printed circuit board.  
 b. Supply voltage—3.3V

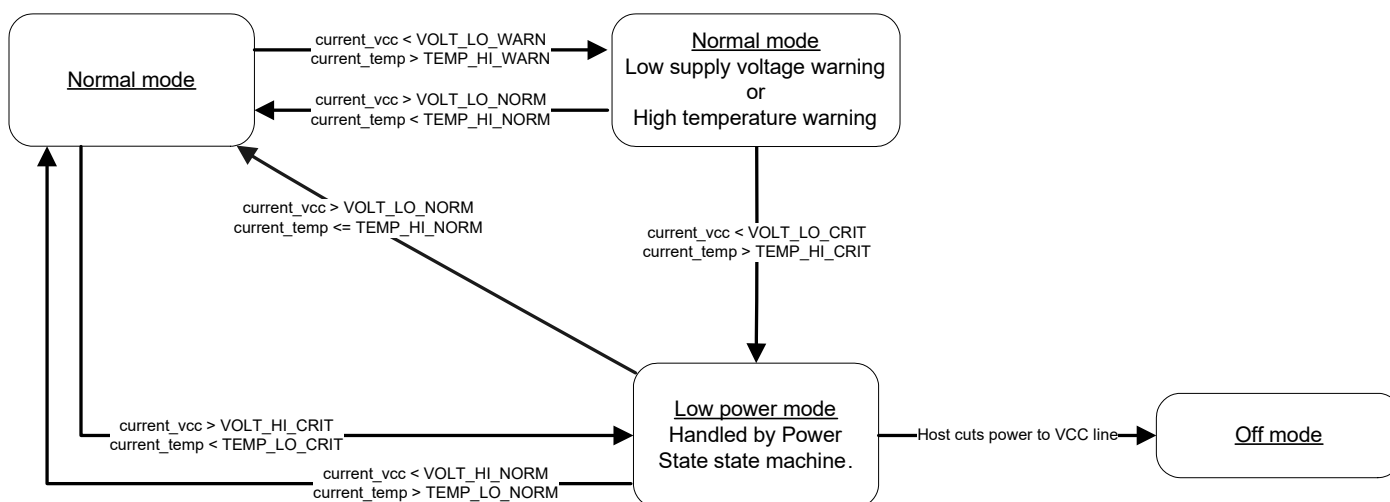


Figure 4-1: Voltage/Temperature Monitoring State Machines

# Power Interface

## Power Ramp-up

On initial power up, inrush current depends on the power supply rise time—turn on time >100  $\mu$ s is required for < 3A inrush current.

The supply voltage must remain within specified tolerances while this is occurring.

## Power-On/Off Timing

Figure 4-2 describes the timing sequence for powering the module on and off.

*Note: Before reaching the “Active” state, signals on the host port are considered to be undefined and signal transitions may occur. This undefined state also applies when the module is in reset mode, during a firmware update, or during the Power-off sequence. The host must consider these undefined signal activities when designing the module interface.*

*Note: The host should not drive any signals to the module until the power-on sequence is complete.*

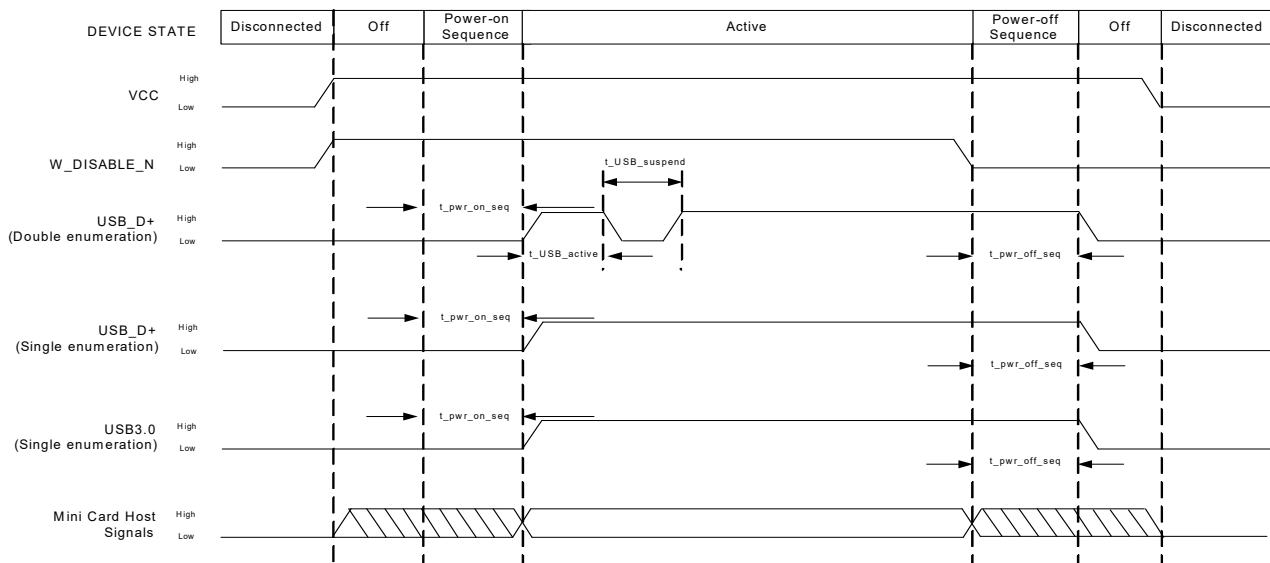


Figure 4-2: Signal Timing ( $W\_DISABLE\_N$ , and USB Enumeration)

Table 4-6: USB 2.0 Power-On/Off Timing Parameters (Double Enumeration)

Parameter	Typical (s)	Maximum (s)
<b>t_pwr_on_seq</b>	0.8	0.9
<b>t_USB_active</b>	0.12	0.2
<b>t_USB_suspend</b>	8.5	11
<b>t_pwr_off_seq</b>	21.4	25



**Table 4-7: USB 2.0 Power-On/Off Timing Parameters (Single Enumeration)**

Parameter	Typical (s)	Maximum (s)
t_pwr_on_seq	8.7	11
t_pwr_off_seq	21.4	25

**Table 4-8: USB 3.0 Power-On/Off Timing Parameters (Single Enumeration)**

Parameter	Typical (s)	Maximum (s)
t_pwr_on_seq	8.6	11
t_pwr_off_seq	21.5	25

## USB Enumeration

The unit supports single and double USB enumeration with the host:

- Single enumeration:
  - Enumeration starts within maximum t\_pwr\_on\_seq seconds of power-on.
- Double enumeration—As shown in [Figure 4-2](#) on page 48:
  - First enumeration starts within t\_pwr\_on\_seq seconds of power-on (while USB\_D+ is high)
  - Second enumeration starts after t\_USB\_suspend (when USB\_D+ goes high again)

## Required Shutdown Sequence

---

**Warning:** To avoid causing issues with the file system, follow this shutdown sequence.

---

1. Enable the shutdown feature with AT!PCOFFEN=0.
2. Assert W\_DISABLE\_N.
3. Wait for at least t\_pwr\_off\_seq.
4. Remove power.

## Power Supply Noise

Noise in the power supply can lead to noise in the RF signal.

The power supply ripple limit for the module is no more than 100 mVp-p 1 Hz to 100 kHz. This limit includes voltage ripple due to transmitter burst activity.

Additional decoupling capacitors can be added to the main VCC line to filter noise into the device.

## SED (Smart Error Detection)

The module uses a form of SED to track premature modem resets.

- Module tracks consecutive resets occurring soon after power-on.
- After a sixth consecutive reset, the module waits in boot-and-hold mode for a firmware download to resolve the power-cycle problem.

## Tx Power Control

The module's Tx power limit may be controlled using either SAR backoff AT commands (defined in [2] *AirPrime EM75xx and EM/MC74x1 AT Command Reference (Doc# 41111748)*), or the DPR (Dynamic power control) signal. Use the GPIOARENABLE parameter for !CUSTOM to choose the method:

- AT commands:
  - !SARSTATED—Set (or report) the default SAR backoff state that the device uses when it powers up. This setting persists across power cycles and overrides any PRI setting.
  - !SARSTATE—Set (or report) the current SAR backoff state (override the default state). This change in state is non-persistent across power cycles.
  - !SARBACKOFF—Set (or report) the maximum Tx power limit for a specific band/technology/state combination.
- Dynamic power control—The module's firmware monitors DPR (pin 46) and adjusts the RF Tx power appropriately, as detailed in [Table 4-9 on page 50](#). (This state change is equivalent to using the !SARSTATE AT command.)

---

*Note: A customization is available to invert the DPR logic. (e.g. DPR low = No SAR backoff)*

---

**Table 4-9: Dynamic Power Control of SAR Backoff State**

DPR	SAR backoff state
High <sup>a</sup>	No SAR backoff
Low	Backoff 1

a. DPR is pulled high by default.

---

*Note: The host can implement an open collector drive for the DPR pin (if a 1.8 V-compatible drive is not available.)*

---

## >> 5: Software Interface

### Support Tools

The MC7411 is compatible with the following support tools from Sierra Wireless and authorized third parties:

- Firmware update utilities from Sierra Wireless
- Sierra Wireless Logger
- QXDM from QUALCOMM
- QUALCOMM Product Support Tool (QPST)
- Windows and Linux SDK (including APIs and drivers)

### Host Interface

The device supports the following protocols for modem communication:

- MBIM (Mobile Broadband Interface Model)
- Qualcomm QMI interface. (Please contact your Sierra Wireless account representative for QMI interface documentation.)

## >> 6: Mechanical and Environmental Specifications

The MC7411 module complies with the mechanical and environmental specifications in [Table 6-1](#). Final product conformance to these specifications depends on the [OEM](#) device implementation.

**Table 6-1: Mechanical and Environmental Specifications<sup>a</sup>**

	Mode	Details
Ambient temperature	Operational Class A	-30°C to +70°C – 3GPP compliant
	Operational Class B	-40°C to +85°C, with appropriate heatsinking – non-3GPP compliant (reduced operating parameters required)
	Storage	-40°C to +85°C
High temperature	Operational	85°C, 45 minutes transmission/15 minutes idle, 480 hours
Low temperature	Operational	-40°C, 30 minutes off/5 minutes idle, 120 hours
Relative humidity	Operational	85°C, 85% relative humidity for 240 hours (non-condensing)
Vibration	Non-operational	Tri-axial vibration, 20 to 5000 Hz, 20 Grms, 10 minutes dwell
Shock	Non-operational	Half sine shock, 6 ms, 30 g, 3x each axis
Drop	Non-operational	1 m unprotected drop on each of six faces (module only)
(Electrostatic discharge (See <a href="#">Electrostatic Discharge (ESD)</a> on page 53.)	Operational	The RF port (antenna launch and RF connector) complies with the IEC 61000-4-2 standard: <ul style="list-style-type: none"> <li>Electrostatic Discharge Immunity: Test: Level3</li> <li>Contact Discharge: ±6 kV</li> <li>Air Discharge: ±8 kV</li> </ul>
	Non-operational	The host connector Interface complies with the following standard only: <ul style="list-style-type: none"> <li>minimum ±500 V Human Body Model (JESD22-A114-B)</li> </ul>
Thermal considerations		See <a href="#">Thermal Considerations</a> on page 53.
Form factor		PCI-Express Mini Card shielded with metal and metalized fabric (F2 specification)
Dimensions		Length: 51 mm Width: 30 mm Thickness: 3.6 mm Weight: 8.09 g

a. Specifications and associated standards to be confirmed.

## Electrostatic Discharge (ESD)

The OEM is responsible for ensuring that the Mini Card host interface pins are not exposed to ESD during handling or normal operation. (See [Table 6-1 on page 52](#) for specifications.)

ESD protection is highly recommended for the SIM connector at the point where the contacts are exposed, and for any other signals from the host interface that would be subjected to ESD by the user of the product. (The device includes ESD protection on the antenna.)

## Thermal Considerations

Embedded modules can generate significant amounts of heat that must be dissipated in the host device for safety and performance reasons.

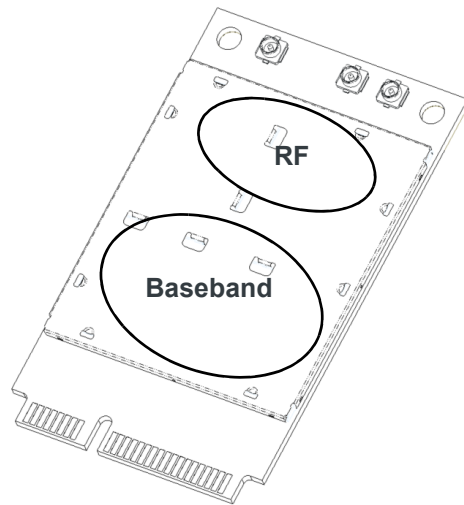


Figure 6-1: Shield locations requiring heat dissipation (Top view)

The amount of thermal dissipation required depends on:

- Supply voltage—Maximum power dissipation for the module can be up to 3.5 W at voltage supply limits.
- Usage—Typical power dissipation values depend on the location within the host product, throughput, amount of data transferred, etc.

Specific areas requiring heat dissipation are shown in [Figure 6-1](#):

- RF—Bottom face of module near RF connectors. Likely to be the hottest area.
- Baseband—Bottom face of module, below the baseband area.

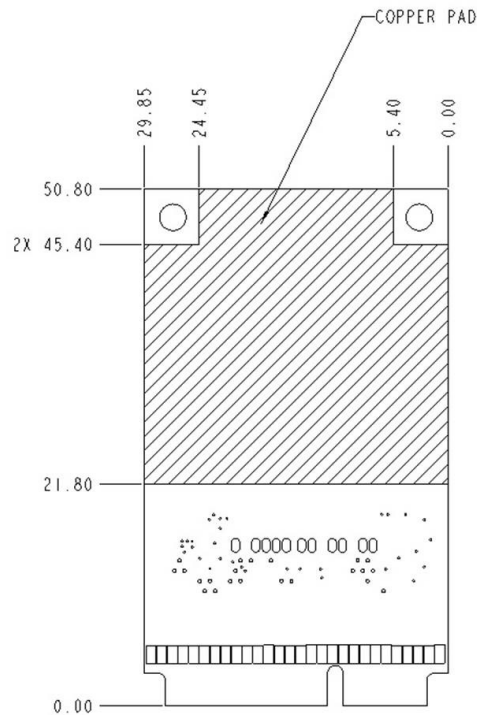


Figure 6-2: Copper Pad Location on Bottom Side of Module

To enhance heat dissipation:

- It is recommended to add a heat sink that mounts the module to the main PCB or metal chassis (a thermal compound or pads must be used between the module and the heat sink).
- Maximize airflow over/around the module.
- Locate the module away from other hot components.
- Module mounting holes must be used to attach (ground) the device to the main PCB ground or a metal chassis.
- You may also need active cooling to pull heat away from the module.

---

*Note: Adequate dissipation of heat is necessary to ensure that the module functions properly.*

---

## Module Integration Testing

When testing your integration design:

- Test to your worst case operating environment conditions (temperature and voltage)
- Test using worst case operation (transmitter on 100% duty cycle, maximum power)
- Monitor temperature on the underside of the module. Attach thermocouples to the areas indicated in [Figure 6-1](#) on page 53 (Baseband, RF).
- Monitor the module's internal temperature using **AT!PCTEMP**. (See [2] *AirPrime EM75xx and EM/MC74x1 AT Command Reference (Doc# 4111748)*.)

---

*Note: Make sure that your system design provides sufficient cooling for the module—proper mounting, heat sinks, and active cooling may be required, depending on the integrated application. The internal module temperature (reported by AT!PCTEMP) must be kept to <90°C when integrated to prevent damage to the module's components. For best performance, keep the internal module temperature below 80°C.*

---

(For acceptance, certification, quality, and production (including RF) test suggestions, see [Testing on page 65.](#))

## >> 7: Regulatory Compliance and Industry Certifications

This module is designed to meet, and upon commercial release, will meet the requirements of the following regulatory bodies and regulations, where applicable:

- Federal Communications Commission (FCC) of the United States
- The Certification and Engineering Bureau of Industry Canada (IC)
- Ministry of Internal Affairs and Communications (MIC) of Japan
- Radio Equipment Directive (RED) of the European Union

The MC7411 Mini Card complies with the mandatory requirements described in the following standards. The exact set of requirements supported is network operator-dependent.

**Table 7-1: Standards Compliance**

Technology	Standards
LTE	<ul style="list-style-type: none"> <li>• 3GPP Release 11<sup>a</sup></li> </ul>
UMTS	<ul style="list-style-type: none"> <li>• 3GPP Release 9</li> </ul>

a. Some auxiliary functions support Release 12 or Release 13.

Upon commercial release, the following industry certifications will have been obtained, where applicable:

- GCF
- PTCRB

Additional certifications and details on specific country approvals may be obtained upon customer request—contact your Sierra Wireless account representative for details.

Additional testing and certification may be required for the end product with an embedded MC7411 module and are the responsibility of the [OEM](#). Sierra Wireless offers professional services-based assistance to OEMs with the testing and certification process, if required.

### Important Compliance Information for North American Users

The MC7411 module, upon commercial release, will have been granted modular approval for mobile applications. Integrators may use the MC7411 module in their final products without additional FCC/IC (Industry Canada) certification if they meet the following conditions. Otherwise, additional FCC/IC approvals must be obtained.

1. At least 20 cm separation distance between the antenna and the user's body must be maintained at all times.
2. To comply with FCC / IC regulations limiting both maximum RF output power and human exposure to RF radiation, the maximum antenna gain including cable loss in a mobile-only exposure condition must not exceed the limits stipulated in [Table 7-2 on page 57](#).



3. The MC7411 module may transmit simultaneously with other collocated radio transmitters within a host device, provided the following conditions are met:
  - Each collocated radio transmitter has been certified by FCC/IC for mobile application.
  - At least 20 cm separation distance between the antennas of the collocated transmitters and the user's body must be maintained at all times.
  - The radiated power of a collocated transmitter must not exceed the EIRP limit stipulated in [Table 7-2](#).

**Table 7-2: Antenna Gain and Collocated Radio Transmitter Specifications**

	Operating mode	Tx Freq Range (MHz)		Max Time-Avg Cond. Power (dBm)	Antenna Gain Limit (dBi)		EIRP Limits (dBm)
					Standalone	Collocated	
MC7431 Mini Card	WCDMA Band 2, LTE B2	1850	1910	24	6	6	30
	WCDMA Band 4, LTE B4	1710	1755	24	6	6	30
	WCDMA Band 5, LTE B5	824	849	24.3	6	4	30.3
	LTE B7	2500	2570	23.8	9	4	32.8
	LTE B12	699	716	24	6	4	30
	LTE B13	777	787	24	6	4	30
	LTE B14	788	798	24	6	4	30
	LTE B25	1850	1915	24	6	6	30
	LTE B26	814	849	24	6	4	30
	LTE B41	2496	2690	23.8	9	8	32.8
	LTE B42	3400	3600	23.8	9	8	32.8
	LTE B43	3600	3800	23.8	9	8	32.8
	LTE B48 <sup>a</sup>	3550	3700	23.8	9	8	32.8
	LTE B66	1710	1780	24	6	6	30
	LTE B71	663	698	24	6	3	30
Collocated transmitters	WLAN 2.4 GHz	2400	2500				30
	WLAN 5 GHz	5150	5850				30
	BT	2400	2500				16
	WiGig	58320	62640				25

a. Important: Airborne operations in LTE Band 48 are prohibited.

4. A label must be affixed to the outside of the end product into which the MC7411 module is incorporated, with a statement similar to the following:
  - **This device contains FCC ID: N7NMC74B**  
**Contains transmitter module IC: 2417C-MC74B where 2417C-MC74B is the module's certification number.**

5. A user manual with the end product must clearly indicate the operating requirements and conditions that must be observed to ensure compliance with current FCC / IC RF exposure guidelines.

The end product with an embedded MC7411 module may also need to pass the FCC Part 15 unintentional emission testing requirements and be properly authorized per FCC Part 15.

**Note:** If this module is intended for use in a portable device, you are responsible for separate approval to satisfy the SAR requirements of FCC Part 2.1093 and IC RSS-102.

# >> A: Antenna Specification

This appendix describes recommended electrical performance criteria for main path, diversity path, and GNSS antennas used with AirPrime embedded modules.

The performance specifications described in this section are valid while antennas are mounted in the host device with antenna feed cables routed in their final application configuration.

---

*Note: Antennas should be designed **before** the industrial design is finished to make sure that the best antennas can be developed.*

---

## Recommended Main/Diversity Antenna Specifications

Table A-1: Antenna Requirements <sup>a</sup>

Parameter	Requirements	Comments
Antenna system	(LTE) External multi-band 2x2 MIMO antenna system (Ant1/Ant2) <sup>b</sup> (3G) External multi-band antenna system with diversity (Ant1/Ant2) <sup>c</sup>	If Ant2 includes GNSS, then it must also satisfy requirements in <a href="#">Table A-2 on page 61</a> .
Operating bands — Antenna 1	All supporting Tx and Rx frequency bands.	
Operating bands — Antenna 2	All supporting Rx frequency bands, plus GNSS frequency bands if Antenna 2 is used in shared Diversity/MIMO/GNSS mode.	
VSWR of Ant1 and Ant2	<ul style="list-style-type: none"> <li>&lt; 2:1 (recommended)</li> <li>&lt; 3:1 (worst case)</li> </ul>	On all bands including band edges
Total radiated efficiency of Ant1 and Ant2	> 50% on all bands	<ul style="list-style-type: none"> <li>Measured at the RF connector.</li> <li>Includes mismatch losses, losses in the matching circuit, and antenna losses, excluding cable loss.</li> <li>Sierra Wireless recommends using antenna efficiency as the primary parameter for evaluating the antenna system. Peak gain is not a good indication of antenna performance when integrated with a host device (the antenna does not provide omni-directional gain patterns). Peak gain can be affected by antenna size, location, design type, etc.—the antenna gain patterns remain fixed unless one or more of these parameters change.</li> </ul>

**Table A-1: Antenna Requirements (Continued)<sup>a</sup>**

Parameter	Requirements	Comments
<b>Radiation patterns of Ant1 and Ant2</b>	Nominally Omni-directional radiation pattern in azimuth plane.	
<b>Envelope correlation coefficient between Ant1 and Ant2</b>	<ul style="list-style-type: none"> <li>&lt; 0.5 on Rx bands below 960 MHz</li> <li>&lt; 0.2 on Rx bands above 1.4 GHz</li> </ul>	
<b>Mean Effective Gain of Ant1 and Ant2 (MEG1, MEG2)</b>	≥ -3 dBi	
<b>Ant1 and Ant2 Mean Effective Gain Imbalance I MEG1 / MEG2 I</b>	< 2 dB for MIMO operation < 6 dB for diversity operation	
<b>Maximum antenna gain</b>	Must not exceed antenna gains due to RF exposure and ERP/EIRP limits, as listed in the module's FCC grant.	See <a href="#">Important Compliance Information for North American Users on page 56</a> .
<b>Isolation between Ant1 and Ant2 (S21)</b>	> 10 dB	<ul style="list-style-type: none"> <li>If antennas can be moved, test all positions for both antennas.</li> <li>Make sure all other wireless devices (Bluetooth or WLAN antennas, etc.) are turned OFF to avoid interference.</li> </ul>
<b>Power handling</b>	<ul style="list-style-type: none"> <li>&gt; 1 W on high bands</li> </ul>	<ul style="list-style-type: none"> <li>Measure power endurance over 4 hours (estimated talk time) using a 2 W CW signal—set the CW test signal frequency to the middle of the PCS Tx band (1880 MHz for PCS).</li> <li>Visually inspect device to ensure there is no damage to the antenna structure and matching components.</li> <li>VSWR/TIS/TRP measurements taken before and after this test must show similar results.</li> </ul>

- a. These worst-case VSWR figures for the transmitter bands may not guarantee RSE levels to be within regulatory limits. The device alone meets all regulatory emissions limits when tested into a cabled (conducted) 50 ohm system. With antenna designs with up to 2.5:1 VSWR or worse, the radiated emissions could exceed limits. The antenna system may need to be tuned in order to meet the RSE limits as the complex match between the module and antenna can cause unwanted levels of emissions. Tuning may include antenna pattern changes, phase/delay adjustment, passive component matching. Examples of the application test limits would be included in FCC Part 22, Part 24 and Part 27, test case 4.2.2 for WCDMA (ETSI EN 301 908-1), where applicable.
- b. Ant1—Primary, Ant2—Secondary (Diversity/MIMO/GNSS)
- c. Ant1—Primary, Ant2—Secondary (Diversity/GNSS)

## Recommended GNSS Antenna Specifications

Table A-2: GNSS Antenna Requirements

Parameter	Requirements	Comments
Frequency range	<ul style="list-style-type: none"> <li>Wide-band GNSS: 1560–1606 MHz recommended</li> <li>Narrow-band GPS: 1575.42 MHz <math>\pm</math>2 MHz minimum</li> <li>Narrow-band Galileo: 1575.42 MHz <math>\pm</math>2 MHz minimum</li> <li>Narrow-band BeiDou: 1561.098 MHz <math>\pm</math>2 MHz minimum</li> <li>Narrow-band GLONASS: 1601.72 MHz <math>\pm</math>4.2 MHz minimum</li> <li>Narrow-band QZSS: 1575.42 MHz <math>\pm</math>2 MHz minimum</li> </ul>	
Field of view (FOV)	<ul style="list-style-type: none"> <li>Omni-directional in azimuth</li> <li>-45° to +90° in elevation</li> </ul>	
Polarization (average Gv/Gh)	> 0 dB	Vertical linear polarization is sufficient.
Free space average gain (Gv+Gh) over FOV	> -6 dBi (preferably > -3 dBi)	Gv and Gh are measured and averaged over -45° to +90° in elevation, and $\pm$ 180° in azimuth.
Gain	<ul style="list-style-type: none"> <li>Maximum gain and uniform coverage in the high elevation angle and zenith.</li> <li>Gain in azimuth plane is not desired.</li> </ul>	
Average 3D gain	> -5 dBi	
Isolation between GNSS and Ant1	> 10 dB in all uplink bands	
Typical VSWR	< 2.5:1	
Polarization	Any other than LHCP (left-hand circular polarized) is acceptable.	

## Antenna Tests

The following guidelines apply to the requirements described in [Table A-1 on page 59](#) and [Table A-2 on page 61](#):

- Perform electrical measurements at room temperature (+20°C to +26°C) unless otherwise specified
- For main and diversity path antennas, make sure the antennas (including contact device, coaxial cable, connectors, and matching circuit with no more than six components, if required) have nominal impedances of 50  $\Omega$  across supported frequency bands.
- All tests (except isolation/correlation coefficient)—Test the main or diversity antenna with the other antenna terminated.

- Any metallic part of the antenna system that is exposed to the outside environment needs to meet the electrostatic discharge tests per IEC61000-4-2 (conducted discharge +8kV).
- The functional requirements of the antenna system are tested and verified while the embedded module's antenna is integrated in the host device.

---

*Note: Additional testing, including active performance tests, mechanical, and accelerated life tests can be discussed with Sierra Wireless' engineering services. Contact your Sierra Wireless representative for assistance.*

---

## >> B: Design Checklist

This chapter provides a summary of the design considerations mentioned throughout this guide. This includes items relating to the power interface, RF integration, thermal considerations, cabling issues, and so on.

*Note: This is NOT an exhaustive list of design considerations. It is expected that you will employ good design practices and engineering principles in your integration.*

**Table B-1: Hardware Integration Design Considerations**

Suggestion	Section where discussed
<b>Component placement</b>	
Protect the SIM socket so the SIM cannot be removed while the host is powered up.	<a href="#">SIM Implementation on page 29</a>
If an ESD suppressor is not used, allow space on the SIM connector for series resistors in layout. (Up to 100 $\Omega$ may be used depending on ESD testing requirements).	<a href="#">SIM Implementation on page 29</a>
Minimize RF cable losses as these affect performance values listed in product specification documents.	<a href="#">RF Connections on page 35</a>
<b>Antennas</b>	
Match the module/antenna coax connections to 50 $\Omega$ —mismatched antenna impedance and cable loss negatively affect RF performance.	<a href="#">RF Connections on page 35</a>
If installing CDMA and UMTS modules in the same device, consider using separate antennas for maximum performance.	<a href="#">Antenna and Cabling on page 36</a>
<b>Power</b>	
Make sure the power supply can handle the maximum current specified for the module type.	<a href="#">Power Consumption on page 44</a>
Limit the total impedance of VCC and GND connections to the SIM at the connector to less than 1 $\Omega$ (including any trace impedance and lumped element components—inductors, filters, etc.). All other lines must have a trace impedance less than 2 $\Omega$ .	<a href="#">SIM Implementation on page 29</a>
Decouple the VCC line close to the SIM socket. The longer the trace length (impedance) from socket to module, the greater the capacitance requirement to meet compliance tests.	<a href="#">SIM Implementation on page 29</a>
<b>PCB signal routing</b>	
USB 2.0/3.0—Route these signals over 90 $\Omega$ differential lines on the PCB.	
<b>EMI/ESD</b>	
Investigate sources of localized interference early in the design cycle.	<a href="#">Methods to Mitigate Decreased Rx Performance on page 38</a>
If there is any potential ESD exposure to the primary antenna port, add 39 nH shunt inductance to Ground as close as possible to the external connection.	

**Table B-1: Hardware Integration Design Considerations (Continued)**

Suggestion	Section where discussed
Provide ESD protection for the SIM connector at the exposed contact point (in particular, the CLK, VCC, IO, and RESET lines).	<a href="#">SIM Implementation on page 29</a>
Keep very low capacitance traces on the USIM_DATA and USIM_CLK signals.	<a href="#">SIM Implementation on page 29</a>
To minimize noise leakage, establish a very good ground connection between the module and host.	<a href="#">Ground Connection on page 37</a>
Route cables away from noise sources (for example, power supplies, LCD assemblies, etc.).	<a href="#">Methods to Mitigate Decreased Rx Performance on page 38</a>
Shield high RF-emitting components of the host device (for example, main processor, parallel bus, etc.).	<a href="#">Methods to Mitigate Decreased Rx Performance on page 38</a>
Use discrete filtering on low frequency lines to filter out unwanted high-order harmonic energy.	<a href="#">Methods to Mitigate Decreased Rx Performance on page 38</a>
Use multi-layer PCBs to form shielding layers around high-speed clock traces.	<a href="#">Methods to Mitigate Decreased Rx Performance on page 38</a>
<b>Thermal</b>	
Test to worst case operating conditions—temperature, voltage, and operation mode (transmitter on 100% duty cycle, maximum power).	<a href="#">Thermal Considerations on page 53</a>
Use appropriate techniques to reduce module temperatures (for example, airflow, heat sinks, heat-relief tape, module placement, etc.).	<a href="#">Thermal Considerations on page 53</a>
<b>Host/Modem communication</b>	
Make sure the host USB driver supports remote wakeup, resume, and suspend operations, and serial port emulation.	<i>[4] AirCard/AirPrime USB Driver Developer's Guide (Doc# 2130634)</i>
When no valid data is being sent, do not send SOF tokens from the host (causes unnecessary power consumption).	<i>[4] AirCard/AirPrime USB Driver Developer's Guide (Doc# 2130634)</i>



## >> C: Testing

---

*Note: All AirPrime embedded modules are factory-tested to ensure they conform to published product specifications.*

---

Developers of OEM devices integrating Sierra Wireless AirPrime embedded modules should include a series of test phases in their manufacturing process to make sure that *their* devices work properly with the embedded modules.

Suggested phases include:

- [Acceptance Testing](#)—Testing of modules when they are received from Sierra Wireless
- [Certification Testing](#)—Testing of completed devices to obtain required certifications before beginning mass production
- [Production Testing](#)—Testing of completed devices with the modules embedded
- [Quality Assurance Testing](#)—Post-production

### AT Command Entry Timing Requirement

Some AT commands require time to process before additional commands are entered. For example, the modem will return “OK” when it receives **ATIDAFTMACT**. However, if **ATIDARCONFIG** is received too soon after this, the modem will return an error.

When building automated test scripts, ensure that sufficient delays are embedded where necessary to avoid these errors.

### Acceptance Testing

---

*Note: Acceptance testing is typically performed for **each** shipment received.*

---

When you receive a shipment from Sierra Wireless, you should make sure it is suitable before beginning production.

From a random sampling of units, test that:

- Units are operational
- Units are loaded with the correct firmware version

### Acceptance Test Requirements

To perform the suggested tests, you require a test system in which to temporarily install the module, and you must be able to observe the test device’s LED indicator.

## Acceptance Test Procedure

The following is a suggested acceptance testing procedure using Sierra Wireless' Skylight™ software.

---

*Note: You can perform these tests using appropriate AT commands.*

---

### Test 1: Check Power-up and Initialization

1. After installing the module, start the test system.
2. Launch Skylight.
3. Check the LED—If the LED is off, there is a problem with the module or with the connection to the LED.

### Test 2: Check Version Numbers

1. From Skylight, select **Help > About**.
2. Verify that the firmware version in the **About** window is correct.
3. Close the **About** window.

If the module fails either of these tests, or is not recognized by Skylight:

1. Replace the module with one that is known to work correctly and repeat the tests.
2. If the tests are successful, reinstall the original module and repeat the tests.

If the module still does not work correctly, contact your account manager.

## Certification Testing

---

*Note: Typically, certification testing of your device with the integrated module is required one time only.*

---

The AirPrime embedded module has been certified as described in [Regulatory Compliance and Industry Certifications on page 56](#).

When you produce a host device with a Sierra Wireless AirPrime embedded module, you must obtain certifications for the final product from appropriate regulatory bodies in the jurisdictions where it will be distributed.

The following are *some* of the regulatory bodies from which you may require certification—it is your responsibility to make sure that you obtain all necessary certifications for your product from these or other groups:

- FCC (Federal Communications Commission—[www.fcc.gov](http://www.fcc.gov))
- Industry Canada ([www.ic.gc.ca](http://www.ic.gc.ca))
- GCF (Global Certification Forum—[www.globalcertificationforum.org](http://www.globalcertificationforum.org)) outside of North America
- PTCRB (PCS Type Certification Review Board—[www.ptcrb.com](http://www.ptcrb.com)) in North America

---

## Production Testing

---

*Note: Production testing typically continues for the life of the product.*

---

Production testing ensures that, for each assembled device, the module is installed correctly (I/O signals are passed between the host and module), and the antenna is connected and performing to specifications (RF tests).

Typical items to test include:

- Host connectivity
  - Baseband (host/module connectors)
  - RF assembly (Tx and/or Rx, as appropriate)
  - Network availability
  - Host/device configuration issues
- 

*Note: The amount and types of tests to perform are **your** decision—the tests listed in this section are guidelines only. Make sure that the tests you perform exercise functionality to the degree that **your** situation requires.*

---

Use an appropriate test station for your testing environment (see [Acceptance Test Requirements on page 65](#) for suggestions) and use AT commands to control the integrated module.

---

*Note: Your test location must be protected from ESD to avoid interference with the module and antenna(s), assuming that your test computer is in a disassembled state. Also, consider using an RF shielding box—local government regulations may prohibit unauthorized transmissions.*

---

## Functional Production Test

This section presents a suggested procedure for performing a basic manual functional test on a laboratory bench using an MC7411 Mini Card and a Mini Card Dev Kit. When you have become familiar with the testing method, use it to develop your own automated production testing procedures.

### Suggested Production Tests

Consider the following tests when you design your production test procedures for devices with the AirPrime module installed.

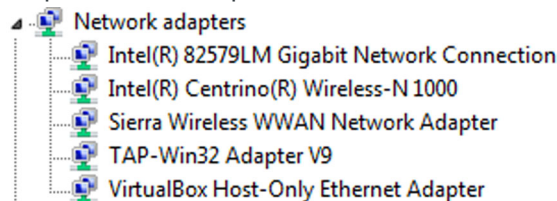
- Visual check of the module's connectors and RF assemblies
- Module is operational
- USB connection is functional
- LED is functional
- W\_DISABLE\_N (turn module off or enter module low power mode (software-configurable))
- Firmware revision check
- Rx tests on main and auxiliary paths
- Tx test

## Production Test Procedure

The following is a suggested test plan—you must decide which tests are appropriate for your product. You may wish to add additional tests that more fully exercise the capabilities of your product.

Using an appropriate Dev Kit-based test station, and referring to the appropriate AT command references:

1. Visually inspect the module's connectors and RF assemblies for obvious defects before installing it in the test station.
2. Ensure that the module is powered off (no voltage on VCC).
3. Provide power to the module (voltage on VCC).
4. Test W\_DISABLE\_N. (See [Table 2-6 on page 31](#) for usage details.)
5. Test USB functionality—Check for USB enumeration.
  - (Windows systems) The Device Manager shows the device under Network adapters. For example:



6. Make sure your modem is connected and running, and then establish contact with the module

For example, on Windows systems, use a terminal emulation/communications program such as Microsoft HyperTerminal<sup>®</sup> to connect to the Sierra Wireless modem (see listings in [Step 5](#)):

- a. Start HyperTerminal.
- b. Select **File > Connection Description**. The Connection Description dialog box appears.
  - i. Type Sierra in the Name box and click **OK**. The Connect To dialog box appears.
  - ii. Click **OK** without changing any of the displayed information. The Connect dialog box appears.
  - iii. Click **Cancel**.
  - iv. Type **ATZ** in the HyperTerminal window. If the connection is established, the message OK appears.

---

*Note: If necessary, use **ATE1** to enable echo.*

---

7. Display the firmware version:
  - **AT+GMR**
8. Test the LED—Set the LED in blinking mode using this command, then visually verify that the LED turns off and on:
  - **AT!LDTEST=0,0** (LED on)
  - **AT!LDTEST=0,1** (LED off)

9. Unlock the extended AT command set (Note: Use AT!ENTERCND? to check command syntax, which is SKU-dependent.):
  - AT!ENTERCND="<password>"
10. Put the module in diagnostic/factory test mode:
  - AT!DAFTMACT
11. Communicate with the SIM using +CPIN or +CIMI.  
When performing RF tests, use a test platform as described in [Suggested Testing Equipment on page 78](#).
12. Test RF transmission, if desired:
  - (UMTS) See [UMTS \(WCDMA\) RF Transmission Path Test on page 69](#).
  - (LTE) See [LTE RF Transmission Path Test on page 71](#).
13. Test RF reception, if desired:
  - (UMTS) See [UMTS \(WCDMA\) RF Receive Path Test on page 73](#).
  - (LTE) See [LTE RF Receive Path Test on page 75](#).
14. Test standalone GNSS functionality—See [GNSS RF Receive Path Test on page 77](#).
15. Power down the module— See [Required Shutdown Sequence on page 49](#).

## UMTS (WCDMA) RF Transmission Path Test

*Note: This procedure is performed in [Step 12 of the Production Test Procedure on page 68](#).*

The suggested test procedure that follows uses the parameters in [Table C-1](#).

**Table C-1: Test Settings—UMTS Transmission Path**

	Band	Frequency (MHz)	Band ID	Channel <sup>a</sup>
1900 MHz	Band 2	1880.0	15 <sup>b</sup>	9400
1700 MHz	Band 4	1732.6	28	1413
850 MHz	Band 5	836.6	22	4183

- a. Channel values shown are at the center of the corresponding bands.  
Channel value used by the !DARCONFIG command (!DARCONFIG uses uplink (Tx) channel at the center of the corresponding band (rounded down), for both Tx and Rx testing).
- b. Either 15 (WCDMA1900A) or 16 (WCDMA1900B) may be used for testing.

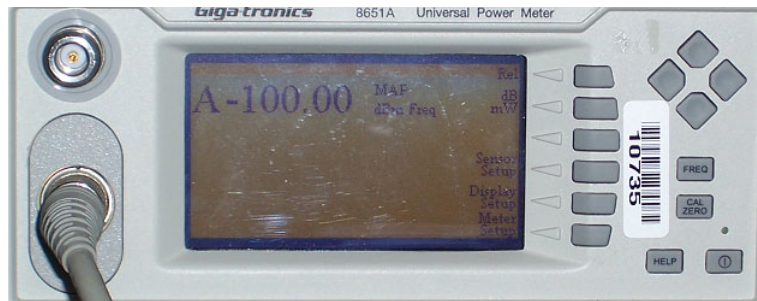
To test the DUT's transmitter path:

---

*Note: This procedure describes steps using the "Power Meter: Gigatronics 8651A" (with Option 12 and Power Sensor 80701A).*

---

1. Set up the power meter:



- a. Make sure the meter has been given sufficient time to warm up, if necessary, to enable it to take accurate measurements.
  - b. Zero-calibrate the meter.
  - c. Enable MAP mode.
2. Prepare the DUT using the following AT commands:
- a. `ATIINTERCND=<password>` (Unlock extended AT command set.)
  - b. `ATIDAFTMACT` (Enter test mode.)
  - c. `ATIDARCONFIG=0,1,<bandValue>,<channel>`  
(e.g. `ATIDARCONFIG=0,1,2,9400`)  
(Set frequency band and channel.  
See [Table C-1](#) for values.)
  - d. `ATIDAWTXCONTROL=1,<power_dBm>`  
(e.g. `ATIDAWTXCONTROL=1,10`)  
(Enable Tx power output.  
<power\_dBm> = -57.0 to 23.0)
  - e. Take the measurement.
  - f. Repeat steps c–e with different Tx power levels if needed.
  - g. `ATIDAWTXCONTROL=0` (Disable Tx power output.)
  - h. `ATIDARCONFIGDROP=1` (Drop the current UMTS configuration.)
3. Test limits—Run ten or more good DUTs through this test procedure to obtain a nominal output power value.
- Apply a tolerance of  $\pm 5$  to 6 dB to each measurement (assuming a good setup design).
  - Monitor these limits during mass-production ramp-up to determine if further adjustments are needed.

---

*Note: The module has a nominal output power of +23 dBm  $\pm 1$  dB in WCDMA mode. However, the value measured by the power meter is significantly influenced (beyond the stated  $\pm 1$  dB output power tolerance) by the test setup (host RF cabling loss, antenna efficiency and pattern, test antenna efficiency and pattern, and choice of shield box).*

---

---

*Note: When doing the same test over the air in an RF chamber, values are likely to be significantly lower.*

---

## LTE RF Transmission Path Test

---

*Note: This procedure segment is performed in [Step 12](#) of the [Production Test Procedure on page 68](#).*

---

The suggested test procedure that follows uses the parameters in [Table C-2](#).

**Table C-2: Test Settings—LTE Transmission Path**

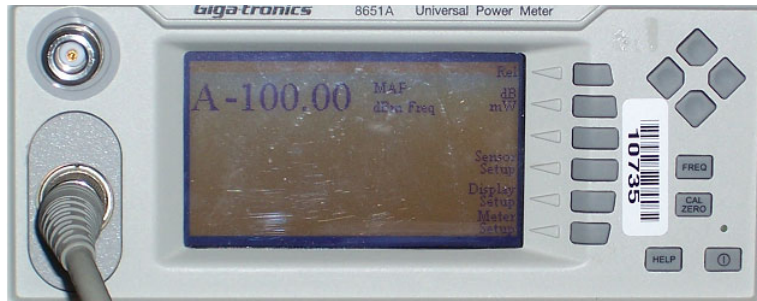
	Band #	Frequency (MHz)	Band ID	Channel <sup>a</sup>
1900 MHz	B2	1880.0	43	18900
1700 MHz	B4	1732.5	42	20175
850 MHz	B5	836.5	45	20525
2600 MHz	B7	2535.0	35	21100
700 MHz	B12	707.5	50	23095
700 MHz	B13	782.0	36	23230
700 MHz	B14	793.0	51	23330
1900 MHz	B25	1882.5	61	26365
850 MHz	B26	831.5	62	26865
2500 MHz	B41	2593.0	76	40620
3500 MHz	B42	3500.0	77	42590
3700 MHz	B43	3700.0	88	44590
3600 MHz	B48	3625.0	96	55990
1700 MHz	B66	1745.0	83	132322
600 MHz	B71	680.5	97	133297

a. Channel value used by the !DARCONFIG command (!DARCONFIG uses uplink (Tx) channel at the center of the corresponding band (rounded down), for both Tx and Rx testing).

To test the DUT's transmitter path:

*Note: This procedure describes steps using the "Power Meter: Gigatronics 8651A" (with Option 12 and Power Sensor 80701A).*

1. Set up the power meter:



- a. Make sure the meter has been given sufficient time to warm up, if necessary, to enable it to take accurate measurements.
  - b. Zero-calibrate the meter.
  - c. Enable MAP mode.
2. Prepare the DUT using the following AT commands:
- a. `AT+INTERCND=<password>` (Unlock extended AT command set.)
  - b. `AT+IDAFTMACT` (Enter test mode.)
  - c. `AT+IDARCONFIG=0,3,<bandValue>,<channel>,<lte_bw>`  
 (e.g. `AT+IDARCONFIG=0,3,1,18300,3`)  
 (Set frequency band and channel. See [Table C-1](#) for values. `<lte_bw>`: 0 (1.4 MHz), 1 (3 MHz), 2 (5 MHz), 3 (10 MHz), 4 (15 MHz), 5(20 MHz))
  - d. `AT+IDALTXCONTROL=0,1,<tx_pwr>,<waveform>,<mod>,<ns_val>,<num_RB>,<start_RB>`  
 (e.g. `AT+IDALTXCONTROL=0,1,10,1,0,1,12,19`)  
 (Set LTE Tx power level, waveform, modulation and NS value. Programs PA range, LUT index, and digital gain to reach Tx power level with power limiting enabled.)
  - e. Take the measurement.
  - f. Repeat steps c–e with different Tx power levels if desired.
  - g. `AT+IDALTXCONTROL=0,0` (Disable Tx power control.)
  - h. `AT+IDARCONFIGDROP=3` (Drop the current LTE configuration.)
3. Test limits—Run ten or more good DUTs through this test procedure to obtain a nominal output power value.
- Apply a tolerance of  $\pm 5$  to 6 dB to each measurement (assuming a good setup design).
  - Monitor these limits during mass-production ramp-up to determine if further adjustments are needed.



---

*Note: The module has a nominal output power of +23 dBm  $\pm 1$  dB in LTE mode. However, the value measured by the power meter is significantly influenced (beyond the stated  $\pm 1$  dB output power tolerance) by the test setup (host RF cabling loss, antenna efficiency and pattern, test antenna efficiency and pattern, and choice of shield box).*

---

*Note: When doing the same test over the air in an RF chamber, values are likely to be significantly lower.*

---

## UMTS (WCDMA) RF Receive Path Test

---

*Note: This procedure is performed in [Step 13](#) of the [Production Test Procedure on page 68](#).*

---

The suggested test procedure that follows uses the parameters in [Table C-3](#).

**Table C-3: Test Settings — UMTS Receive Path**

	Band #	Frequency <sup>a</sup> (MHz)	Band ID	Channel <sup>b</sup>
1900 MHz	Band 2	1961.2	15 <sup>c</sup>	9400
1700 MHz	Band 4	2133.7	28	1413
850 MHz	Band 5	882.7	22	4183

- Receive frequencies shown are 1.2 MHz offset from center
- Channel value used by the !DARCONFIG command (!DARCONFIG uses uplink (Tx) channel at the center of the corresponding band (rounded down), for both Tx and Rx testing).
- Either 15 (WCDMA1900A) or 16 (WCDMA1900B) may be used for testing.

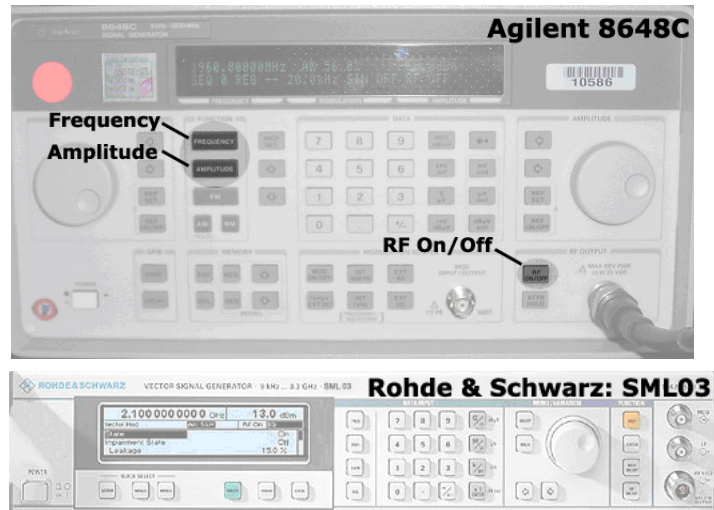
To test the DUT's receive path:

---

*Note: This procedure describes steps using the Agilent 8648C signal generator—the Rohde & Schwarz SML03 is shown for reference only.*

---

1. Set up the signal generator:



- a. Set the amplitude to:
    - -80 dBm
  - b. Set the frequency for the band being tested. See [Table C-3](#) for frequency values.
2. Set up the DUT:

**Warning:** The maximum RF power level allowable on any RF port is +10dBm—damage may occur if this level is exceeded.

- a. ATIENTERCND="**<password>**" (Unlock extended AT command set.)
  - b. ATIDAFTMACT (Put modem into factory test mode.)
  - c. ATIDARCONFIG=0,1,**<bandValue>**,**<channel>**  
(e.g. ATIDARCONFIG=0,1,2,9400)  
(Set frequency band and channel.  
See [Table C-3](#) for values.)
  - d. ATIDAGFTMRXAGC=0,1,0,0  
(Set LNA to maximum gain on primary Rx, and get the RSSI.)
  - e. ATIDAGFTMRXAGC=0,1,0,1 (Set LNA to maximum gain on Diversity Rx, and get the RSSI.)
  - f. ATIDARCONFIGDROP=1 (Drop the current UMTS configuration.)
3. Test limits—Run ten or more good DUTs through this test procedure to obtain a nominal received power value.
    - Apply a tolerance of  $\pm 5$  to 6 dB to each measurement (assuming a good setup design).
    - Make sure the measurement is made at a high enough level that it is not influenced by DUT-generated and ambient noise.
    - The Signal Generator power level can be adjusted and new limits found if the radiated test needs greater signal strength.
    - Monitor these limits during mass-production ramp-up to determine if further adjustments are needed.

---

*Note: The value measured from the DUT is significantly influenced by the test setup and DUT design (host RF cabling loss, antenna efficiency and pattern, test antenna efficiency and pattern, and choice of shield box).*

---

## LTE RF Receive Path Test

---

*Note: This procedure is performed in [Step 13](#) of the [Production Test Procedure on page 68](#).*

---

The suggested test procedure that follows uses the parameters in [Table C-4](#).

**Table C-4: Test Settings—LTE Receive Path**

	Band #	Frequency <sup>a</sup> (MHz)	Band ID	Channel <sup>b</sup>
1900 MHz	B2	1962.0	43	18900
1700 MHz	B4	2134.5	42	20175
850 MHz	B5	883.5	45	20525
2600 MHz	B7	2657.0	35	21100
700 MHz	B12	739.5	50	23095
700 MHz	B13	753.0	36	23230
850 MHz	B14	765	51	23330
1900 MHz	B25	1964.5	61	26365
850 MHz	B26	878.5	62	26865
2500 MHz	B41	2595.0	76	40620
3500 MHz	B42	3502.0	77	42590
3700 MHz	B43	3702.0	88	44590
3600 MHz	B48	3627.0	96	55990
1700 MHz	B66	2157.0	83	132322
600 MHz	B71	636.5	97	133297

- a. Receive frequencies shown are 2 MHz offset from center  
b. Channel value used by the !DARCONFIG command (!DARCONFIG uses uplink (Tx) channel at the center of the corresponding band (rounded down), for both Tx and Rx testing).

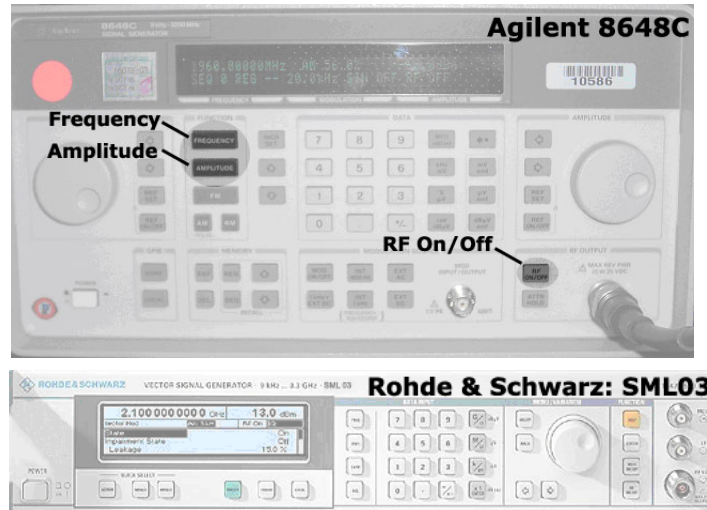
To test the DUT's receive path (or diversity path, while connected to the diversity antenna):

---

*Note: This procedure describes steps using the Agilent 8648C signal generator—the Rohde & Schwarz SML03 is shown for reference only.*

---

1. Set up the signal generator:



- a. Set the amplitude to -70 dBm
  - b. Set the frequency for the band being tested. See [Table C-4](#) for frequency values.
2. Set up the DUT:

---

**Warning:** *The maximum RF power level allowable on any RF port is +10dBm—damage may occur if this level is exceeded.*

---

- a. `AT+ENTERCND=<password>` (Unlock extended AT command set.)
  - b. `AT+IDAFTMACT` (Put modem into factory test mode.)
  - c. `AT+IDARCONFIG=0,3,<bandValue>,<channel>,<lte_bw>`  
(e.g. `AT+IDARCONFIG=0,3,1,18300,3`)  
(Set frequency band and channel. See [Table C-4](#) for values. `<lte_bw>`: 0 (1.4 MHz), 1 (3 MHz), 2 (5 MHz), 3 (10 MHz), 4 (15 MHz), 5(20 MHz))
  - d. `AT+IDAGFTMRXAGC=0,3,0,0` (Set LNA to maximum gain on primary Rx, and get the RSSI.)
  - e. `AT+IDAGFTMRXAGC=0,3,0,1` (Set the LNA to maximum gain on Diversity Rx, and get the RSSI.)
  - f. `AT+IDARCONFIGDROP=0,3` (Drop the current LTE configuration.)
3. Test limits—Run ten or more good DUTs through this test procedure to obtain a nominal received power value.
    - Apply a tolerance of  $\pm 5$  to 6 dB to each measurement (assuming a good setup design).
    - Make sure the measurement is made at a high enough level that it is not influenced by DUT-generated and ambient noise.

- The Signal Generator power level can be adjusted and new limits found if the radiated test needs greater signal strength.
- Monitor these limits during mass-production ramp-up to determine if further adjustments are needed.

---

*Note: The value measured from the DUT is significantly influenced by the test setup and DUT design (host RF cabling loss, antenna efficiency and pattern, test antenna efficiency and pattern, and choice of shield box).*

---

## GNSS RF Receive Path Test

The GNSS receive path uses either the dedicated GNSS connector or the shared Diversity/MIMO/GNSS connector.

To test the GNSS receive path:

1. Inject a carrier signal at -110 dBm, frequency 1575.52 MHz into the GNSS Rx path at the connector. (Note that this frequency is 100 kHz higher than the actual GPS L1 center frequency.)
2. Test the signal carrier-to-noise level at the GNSS receiver:
  - a. `ATIINTERCND=<password>` (Unlock extended AT command set.)
  - b. `ATIDAFTMACT` (Put modem into factory test mode.)
  - c. `ATIDACGPSTESTMODE=1` (Start CGPS diagnostic task.)
  - d. `ATIDACGPSSTANDALONE=1` (Enter standalone RF mode.)
  - e. `ATIDACGPSMASKON` (Enable log mask.)
  - f. `ATIDACGPSCTON` (Return signal-to-noise and frequency measurements.)
  - g. Repeat `ATIDACGPSCTON` five to ten times to ensure the measurements are repeatable and stable.
3. Leave the RF connection to the Mini Card device intact, and turn off the signal generator.
4. Take several more `IDACGPSCTON` readings. This will demonstrate a 'bad' signal in order to set limits for testing, if needed. This frequency offset should fall outside of the guidelines in the note below, which indicates that the CtoN result is invalid.
5. (Optional) Turn the signal generator on again, and reduce the level to -120dBm. Take more `IDACGPSCTON` readings and use these as a reference for what a marginal/poor signal would be.

---

*Note: The response to `ATIDACGPSCTON` for a good connection should show CtoN within 58 +/- 5dB and Freq (frequency offset) within 100000 Hz +/- 5000 Hz .*

---

## Quality Assurance Testing

---

*Note: QA is an ongoing process based on random samples from a finished batch of devices.*

---

The quality assurance tests that you perform on your finished products should be designed to verify the performance and quality of your devices.

The following are *some* testing suggestions that can confirm that the antenna is interfaced properly, and that the RF module is calibrated and performs to specifications:

- Module registration on cellular networks
- Power consumption
- Originate and terminate data and voice (if applicable) calls
- Cell hand-off
- Transmitter and receiver tests
- FER (Frame Error Rate) as an indicator of receiver sensitivity/performance
- Channel and average power measurements to verify that the device is transmitting within product specifications
- RF sensitivity testing—BER/BLER for different bands and modes
- Transmitter and receiver tests (based on relevant sections of the 3GPP TS51010 and 3GPP 34121 documents)

## Suggested Testing Equipment

To perform production and post-production tests, you will require appropriate testing equipment. A test computer can be used to coordinate testing between the integrated module (on the development kit or host) and the measurement equipment, usually with GPIB connections. The suggested setup includes a power meter to test RF output power and a signal generator to evaluate the receiver.

## Testing Assistance Provided by Sierra Wireless

Extended AT commands have been implemented to assist with performing FTA GCF tests and portions of CE Mark tests requiring radio module access. These are documented in the [2] *AirPrime EM75xx and EM/MC74x1 AT Command Reference (Doc# 41111748)*.

Sierra Wireless offers optional professional services based assistance to [OEMs](#) with regulatory approvals.

## IOT/Operator Testing

Interoperability and Operator/Carrier testing of the finished system is the responsibility of the [OEM](#). The test process will be determined with the chosen network operator(s) and will be dependent upon your business relationship with them, as well as the product's application and sales channel strategy.

Sierra Wireless offers assistance to OEMs with the testing process, if required.

## Extended AT Commands for Testing

Sierra Wireless provides the [2] *AirPrime EM75xx and EM/MC74x1 AT Command Reference (Doc# 41111748)*, which describes proprietary AT commands that may help in hardware integration design and testing (these commands are NOT intended for use by end users).

Some commands from this document that may be useful for hardware integration are listed in [Table C-5 on page 79](#).

**Table C-5: Extended AT Commands**

Command	Description
<b>Password commands</b>	
<b>!ENTERCND</b>	Enable access to password-protected commands
<b>!SETCND</b>	Set AT command password
<b>Modem reset and status commands</b>	
<b>!GSTATUS</b>	Return the operation status of the modem (mode, band, channel, and so on)
<b>!RESET</b>	Reset the modem
<b>Diagnostic commands</b>	
<b>!BAND</b>	Select a set of frequency bands or reports current selection
<b>Test commands</b>	
<b>!DAFTMACT</b>	Put the modem into FTM (Factory Test Mode)
<b>!DAFTMDEACT</b>	Put the modem into online mode
<b>!DAGFTMRXAGC</b>	Get FTM Rx AGC (Primary or Diversity)
<b>!DALGRXAGC</b>	Return Rx AGC value (LTE)
<b>!DALGTXAGC</b>	Return Tx AGC value and transmitter parameters (LTE)
<b>!DALTXCONTROL</b>	Configure LTE Tx Parameters
<b>!DAOFFLINE</b>	Place modem offline
<b>!DARCONFIG</b>	Set Band and Channel
<b>!DARCONFIGDROP</b>	Drop Radio Configurations
<b>!DASLNAGAIN</b>	Set the LNA (Low Noise Amplifier) gain state
<b>!DAWGAVGAGC</b>	Return averaged RX AGC value (WCDMA)
<b>!DAWINFO</b>	Return WCDMA mode RF information
<b>!DAWTXCONTROL</b>	Configure WCDMA Tx Power

## >> D: Packaging

Sierra Wireless AirPrime Mini Cards are shipped in sealed boxes. The standard packaging (see [Figure D-1](#)), contains a single tray with a capacity of 100 modules. (Note that some SKUs may have custom packaging—contact Sierra Wireless for SKU-specific details.)

In the standard packaging, Mini Cards are inserted, system connector first, into the bottom portion (T1) of a two-part tray. All facing the same direction. This allows the top edge of each Mini Card to contact the top of the triangular features in the top portion (T2) of the tray (see Detail A).

The top and bottom portions of the tray snap together at the four connection points.

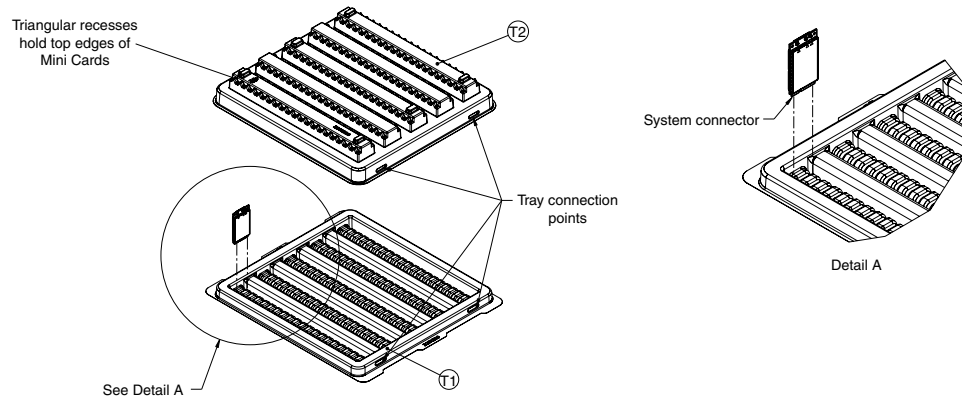


Figure D-1: Device Placement in Module Tray

The tray is placed in a manufacturing box (T2 at the top), sealed with a security tape (P1), and a manufacturing label is placed on the bottom-right corner, above the security tape. (See [Figure D-2](#).)

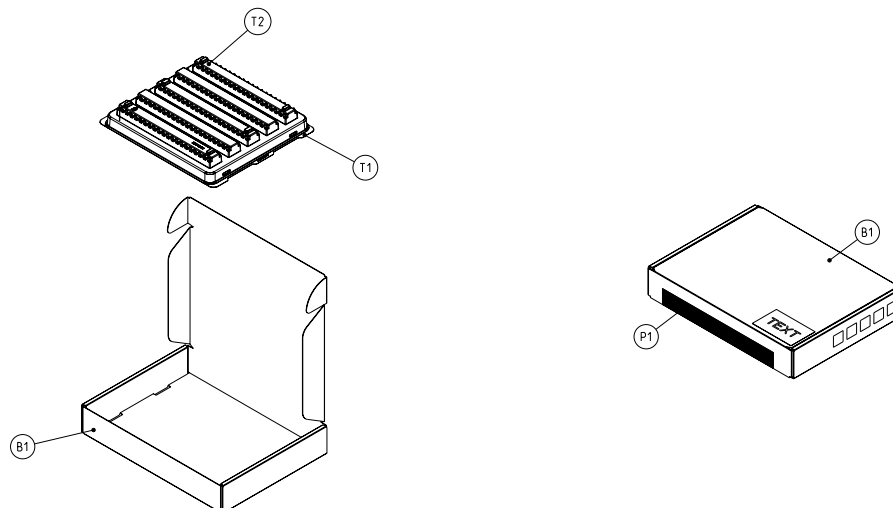


Figure D-2: Shipping Package



## >> E: References

This guide deals specifically with hardware integration issues that are unique to AirPrime embedded modules.

### Sierra Wireless Documents

The Sierra Wireless documents listed below are available from [www.sierrawireless.com](http://www.sierrawireless.com). For additional documents describing embedded module design, usage, and integration issues, contact your Sierra Wireless account representative.

#### Command Documents

- [1] AT Command Set for User Equipment (UE) (Release 6) (Doc# 3GPP TS 27.007)
- [2] AirPrime EM75xx and EM/MC74x1 AT Command Reference (Doc# 41111748)

#### Other Sierra Documents

- [3] PCI Express Mini Card Dev Kit Quick Start Guide (Doc# 2130705)
- [4] AirCard/AirPrime USB Driver Developer's Guide (Doc# 2130634)

#### Industry/Other Documents

The following non-Sierra Wireless references are not included in your documentation package:

- [5] FCC Regulations - Part 15 - Radio Frequency Devices
- [6] IEC-61000-4-2 level 3
- [7] IEC-61000-4-2 level (Electrostatic Discharge Immunity Test)
- [8] Mobile Station (MS) Conformance Specification; Part 4: Subscriber Interface Module (Doc# 3GPP TS 11.10-4)
- [9] PCI Express Mini Card Electromechanical Specification Revision 2.1
- [10] Universal Serial Bus Specification, Rev 2.0
- [11] Universal Serial Bus Specification, Rev 3.0
- [12] JESD22-A114-B
- [13] JESD22-C101

# >> F: Acronyms

**Table F-1: Acronyms and Definitions**

Acronym / term	Definition
3GPP	3rd Generation Partnership Project
8PSK	Octagonal Phase Shift Keying
AGC	Automatic Gain Control
A-GPS	Assisted GPS
API	Application Programming Interface
BeiDou	BeiDou Navigation Satellite System A Chinese system that uses a series of satellites in geostationary and middle earth orbits to provide navigational data.
BER	Bit Error Rate—A measure of receive sensitivity
BLER	Block Error Rate
bluetooth	Wireless protocol for data exchange over short distances
CQI	Channel Quality Indication
COM	Communication port
CS	Circuit-switched
CSG	Closed Subscriber Group
CW	Continuous waveform
dB	Decibel = $10 \times \log_{10} (P1/P2)$ <i>P1 is calculated power; P2 is reference power</i> Decibel = $20 \times \log_{10} (V1/V2)$ <i>V1 is calculated voltage, V2 is reference voltage</i>
dBm	A logarithmic (base 10) measure of relative power (dB for decibels); relative to milliwatts (m). A dBm value will be 30 units (1000 times) larger (less negative) than a dBW value, because of the difference in scale (milliwatts vs. watts).
DC-HSPA+	Dual Carrier HSPA+
DCS	Digital Cellular System A cellular communication infrastructure that uses the 1.8 GHz radio spectrum.
DL	Downlink (network to mobile)
DRX	Discontinuous Reception
DSM	Distributed Shared Memory
DUT	Device Under Test
eICIC	Enhanced Inter-Cell Interference Coordination
EIRP	Effective (or Equivalent) Isotropic Radiated Power

Table F-1: Acronyms and Definitions (Continued)

Acronym / term	Definition
EMC	Electromagnetic Compatibility
EMI	Electromagnetic Interference
ERP	Effective Radiated Power
ESD	Electrostatic Discharge
FCC	Federal Communications Commission The U.S. federal agency that is responsible for interstate and foreign communications. The FCC regulates commercial and private radio spectrum management, sets rates for communications services, determines standards for equipment, and controls broadcast licensing. Consult <a href="http://www.fcc.gov">www.fcc.gov</a> .
FDD	Frequency Division Duplexing
FDMA	Frequency Division Multiple Access
feICIC	Further Enhanced Inter-Cell Interference Coordination
FER	Frame Error Rate—A measure of receive sensitivity.
firmware	Software stored in ROM or EEPROM; essential programs that remain even when the system is turned off. Firmware is easier to change than hardware but more permanent than software stored on disk.
FOTA	Firmware Over The Air—Technology used to download firmware upgrades directly from the service provider, over the air.
FOV	Field Of View
FSN	Factory Serial Number—A unique serial number assigned to the mini card during manufacturing.
Galileo	A European system that uses a series of satellites in middle earth orbit to provide navigational data.
GCF	Global Certification Forum
GLONASS	Global Navigation Satellite System—A Russian system that uses a series of 24 satellites in middle circular orbit to provide navigational data.
GMSK	Gaussian Minimum Shift Keying modulation
GNSS	Global Navigation Satellite Systems (GPS, GLONASS, BeiDou, and Galileo)
GPS	Global Positioning System An American system that uses a series of 24 satellites in middle circular orbit to provide navigational data.
Host	The device into which an embedded module is integrated
HSDPA	High Speed Downlink Packet Access
HSPA+	Enhanced HSPA, as defined in 3GPP Release 7 and beyond
HSUPA	High Speed Uplink Packet Access
Hz	Hertz = 1 cycle/second
IC	Industry Canada

**Table F-1: Acronyms and Definitions (Continued)**

<b>Acronym / term</b>	<b>Definition</b>
IF	Intermediate Frequency
IMEI	International Mobile Equipment Identity
IMS	IP Multimedia Subsystem—Architectural framework for delivering IP multimedia services.
inrush current	Peak current drawn when a device is connected or powered on
inter-RAT	Radio Access Technology
IOT	Interoperability Testing
IS	Interim Standard. After receiving industry consensus, the TIA forwards the standard to ANSI for approval.
ISIM	IMS Subscriber Identity Module (Also referred to as a SIM card)
LED	Light Emitting Diode. A semiconductor diode that emits visible or infrared light.
LHCP	Left-Hand Circular Polarized
LNA	Low Noise Amplifier
LPM	Low Power Mode
LPT	Line Print Terminal
LTE	Long Term Evolution—a high-performance air interface for cellular mobile communication systems.
MCS	Modulation and Coding Scheme
MHz	Megahertz = 10e6 Hz
MIMO	Multiple Input Multiple Output—wireless antenna technology that uses multiple antennas at both transmitter and receiver side. This improves performance.
NAS/AS	Network Access Server
NC	No Connect
NIC	Network Interface Card
NLIC	Non-Linear Interference Cancellation
NMEA	National Marine Electronics Association
OEM	Original Equipment Manufacturer—a company that manufactures a product and sells it to a reseller.
OFDMA	Orthogonal Frequency Division Multiple Access
OMA DM	Open Mobile Alliance Device Management—A device management protocol.
OTA	'Over the air' (or radiated through the antenna)
PA	Power Amplifier
packet	A short, fixed-length block of data, including a header, that is transmitted as a unit in a communications network.

**Table F-1: Acronyms and Definitions (Continued)**

<b>Acronym / term</b>	<b>Definition</b>
PCB	Printed Circuit Board
PCC	Primary Component Carrier
PCS	Personal Communication System A cellular communication infrastructure that uses the 1.9 GHz radio spectrum.
PDN	Packet Data Network
PMI	Pre-coding Matrix Index
PSS	Primary synchronisation signal
PST	Product Support Tools
PTCRB	PCS Type Certification Review Board
QAM	Quadrature Amplitude Modulation. This form of modulation uses amplitude, frequency, and phase to transfer data on the carrier wave.
QMI	Qualcomm MSM/Modem Interface
QOS	Quality of Service
QPSK	Quadrature Phase-Shift Keying
QPST	Qualcomm Product Support Tools
QZSS	Quasi-Zenith Satellite System—Japanese system for satellite-based augmentation of GPS.
RAT	Radio Access Technology
RF	Radio Frequency
RI	Ring Indicator
roaming	A cellular subscriber is in an area where service is obtained from a cellular service provider that is not the subscriber's provider.
RSE	Radiated Spurious Emissions
RSSI	Received Signal Strength Indication
SCC	Secondary Component Carrier
SDK	Software Development Kit
SED	Smart Error Detection
Sensitivity (Audio)	Measure of lowest power signal that the receiver can measure.
Sensitivity (RF)	Measure of lowest power signal at the receiver input that can provide a prescribed BER/BLER/SNR value at the receiver output.
SG	An LTE signaling interface for SMS ("SMS over SGs")
SIB	System Information Block
SIM	Subscriber Identity Module. Also referred to as USIM or UICC.

**Table F-1: Acronyms and Definitions (Continued)**

<b>Acronym / term</b>	<b>Definition</b>
SIMO	Single Input Multiple Output—smart antenna technology that uses a single antenna at the transmitter side and multiple antennas at the receiver side. This improves performance and security.
SISO	Single Input Single Output—antenna technology that uses a single antenna at both the transmitter side and the receiver side.
SKU	Stock Keeping Unit—identifies an inventory item: a unique code, consisting of numbers or letters and numbers, assigned to a product by a retailer for purposes of identification and inventory control.
SMS	Short Message Service. A feature that allows users of a wireless device on a wireless network to receive or transmit short electronic alphanumeric messages (up to 160 characters, depending on the service provider).
S/N	Signal-to-noise (ratio)
SNR	Signal-to-Noise Ratio
SOF	Start of Frame—A USB function.
SSS	Secondary synchronisation signal.
SUPL	Secure User Plane Location
TD-SCDMA	Time Division Synchronous Code Division Multiple Access
TDD	Time Division Duplexing
TIA/EIA	Telecommunications Industry Association / Electronics Industry Association. A standards setting trade organization, whose members provide communications and information technology products, systems, distribution services and professional services in the United States and around the world. Consult <a href="http://www.tiaonline.org">www.tiaonline.org</a> .
TIS	Total Isotropic Sensitivity
TRP	Total Radiated Power
UDK	Universal Development Kit (for PCI Express Mini Cards)
UE	User Equipment
UICC	Universal Integrated Circuit Card (Also referred to as a SIM card.)
UL	Uplink (mobile to network)
UMTS	Universal Mobile Telecommunications System
USB	Universal Serial Bus
USIM	Universal Subscriber Identity Module (UMTS)
VCC	Supply voltage
VSWR	Voltage Standing Wave Ratio
WAN	Wide Area Network
WCDMA	Wideband Code Division Multiple Access (also referred to as UMTS)
WLAN	Wireless Local Area Network

**Table F-1: Acronyms and Definitions (Continued)**

<b>Acronym / term</b>	<b>Definition</b>
ZIF	Zero Intermediate Frequency
ZUC	ZUC stream cypher

## Numerics

- 3D gain, average gain
  - 3D average (GNSS), 61
- 3GPP compliance
  - LTE, 56
  - UMTS, 56

## A

- acceptance tests, 65
- accessories, 15
- accuracy (GNSS), 43
- acquisition time (GNSS), 43
- acronyms and definitions, 82
- A-GNSS, 14
- antenna
  - connection considerations, 35
  - connectors, 17
  - custom, design, 36
  - diversity antenna, disabling, 36
  - GNSS, specifications, recommended, 61
  - limit, matching coaxial connections, 35
  - location, considerations, 36
  - matching, considerations, 36
  - maximum cable loss, 35
  - routing, 36
  - specification, 59–62
  - specifications, recommended, 59
  - testing, 61
- antennas
  - design checklist, 63
- API, 51
- application interface features, 13
- approvals, regulatory and industry, 56
- AT commands, 79
- averaged call mode DC power consumption, 45
- averaged standby DC power consumption, 44

## B

- bands supported, RF
  - summary, 11
  - LTE, 40, 41, 69, 71, 73, 75
- bearers, dedicated, 14
- BER (Bit Error Rate), 39
- bit error rate (BER)
  - measure of sensitivity, 39
- block diagram
  - expanded RF, 19, 20
  - system, 18

## C

- cable loss
  - antenna, maximum, 35
- capacitors
  - with SIM, 29
  - with XIM\_DATA / XIM\_CLK, 29
- carrier/operator testing, 78

- cell selection, 14
- certification tests, 66
- checklist, design, 63
- communications, host to modem
  - design checklist, 64
- conducted Tx power tolerances, 43
- connection
  - grounding, 37
- connectors, 35
- connectors, required
  - host-module, 15
- control interface, 30
- CQI, 14

## D

- DC power consumption
  - averaged call mode, 45
  - averaged standby, 44
- desense. See RF
- design checklist
  - antennas, 63
  - component placement, 63
  - EMI/ESD, 63
  - host/modem communications, 64
  - power, 63
  - thermal, 64
  - USB3, 63
- detach procedure, 14
- Development Kit contents, 15
- digital interface, 33
- dimensions, 52
- diversity antenna
  - disabling, 36
- diversity connector, location, 35
- drop specifications, 52

## E

- EDGE
  - connector, required, 15
- electrical specifications, 17
- electrostatic discharge specifications, 52
- electrostatic discharge. See ESD
- envelope correlation coefficient, 60
- environmental specifications, 52
- ESD
  - design checklist, 63
  - protection requirements, 53
- ESD specifications, 52
- expanded RF block diagram, 19, 20

## F

- field of view, 61
- filtering, RF desense, 38
- form factor, 52
- FOV, 61
- free space average gain, 61
- frequencies supported, 39



frequency band support  
 LTE, 40, 41, 69, 71, 73, 75

## G

gain

GNSS, 61  
 maximum, 56, 60  
 mean effective, 60  
 mean effective imbalance, 60

GNSS

antenna specifications, recommended, 61  
 connector location, 35  
 features supported, 14  
 specifications, 43

ground specifications, 25

grounding

connection considerations, 37

## H

host interface

pin assignments, 20

humidity specifications, 52

## I

I/O connector location, 35

I/O rise time requirements, 29

impedance

module–antenna, 36  
 SIM, 29

industry approvals, 56

integration requirements, 16

interface

control interface, 30  
 digital interface, 33  
 feature summary, 13  
 host, pin assignments, 20  
 QMI, 51  
 SIM, 26  
 software, 51  
 USB, 25

interference

device generated, 38  
 host-generated, 38  
 power supply noise, 49  
 wireless devices, 37

Interoperability testing, 78

intra-LTE mobility, 14

IOT testing, 78

iRAT, 14

isolation, 60, 61

## L

LED

example, 32

LED output, 17, 30, 31

LTE

3GPP compliance, 56

bandwidth support, 40

features, 14

frequency band support, 40, 41, 69, 71, 73, 75

## M

mean effective gain, 60

mean effective gain imbalance, 60

mechanical specifications, 52

MIB, 14

module

power states, 46–47

## N

NAS/AS security, 14

noise

leakage, minimizing, 37

RF interference, power supply, 49

## O

OEM

assistance with testing, 78

operator/carrier testing, 78

ordering information, 15

## P

packaging, 80

paging procedures, 14

PCB

multi-layer, shielding for RF desense, 38

PDN connections, multiple, 14

pin assignments, host interface, 20

PMI, 14

polarization, 61

position location, 14

power

design checklist, 63

handling, 60

power-up timing, 48

ramp-up timing, 48

state machines, 47

states, module, 46–47

supply, RF interference, 49

supply, ripple limit, 49

power consumption, DC

averaged call mode, 45

averaged standby, 44

power specifications, 25

power tolerances, conducted Tx, 43

Product Support Tool, QUALCOMM (QPST), 51

production tests, 67

PSS, 14

## Q

QMI interface, [51](#)  
 QPST (QUALCOMM Product Support Tool), [51](#)  
 QUALCOMM Product Support Tool (QPST), [51](#)  
 quality assurance tests, [77](#)  
 QXDM support, [51](#)

## R

radiated efficiency, total, [59](#)  
 radiated sensitivity measurement, [39](#)  
 radiated spurious emissions, [38](#)  
 radiation patterns, [60](#)  
 references, [81](#)  
 regulatory approvals, [56](#)  
 regulatory information, [56–58](#)  
     FCC, [56](#)  
 reset device, [32](#)  
 resistors, external pull-up, [29](#)  
 RF  
     antenna cable loss, maximum, [35](#)  
     antenna connection, considerations, [35](#)  
     connectors, required, [15](#)  
     desense  
         device-generated, [38](#)  
         harmonic energy, filtering, [38](#)  
         mitigation suggestions, [38](#)  
         shielding suggestions, [38](#)  
     interference  
         other devices, [38](#)  
         power supply, [49](#)  
         wireless devices, [37](#)  
 RF bands supported  
     summary, [11](#)  
     LTE, [40](#), [41](#), [69](#), [71](#), [73](#), [75](#)  
 RF block diagram, expanded, [19](#), [20](#)  
 RF connector location, [35](#)  
 RF specifications, [35–43](#)  
 RI, [14](#)  
 RSE, [38](#)  
 Rx sensitivity  
     conducted, [42](#)

## S

sales  
     ordering, [15](#)  
 SDKs available, [51](#)  
 SED  
     see Smart Error Detection  
 See also W\_DISABLE\_N, [31](#)  
 sensitivity  
     conducted, RF parameter, [42](#)  
     defined, [39](#)  
     radiated measurement, overview, [39](#)  
     testing, overview, [39](#)  
 shielding  
     module, compliance, [35](#)  
     reducing RF desense, [38](#)  
 shock specifications, [52](#)  
 SIB, [14](#)

signals, [30](#)  
     SYSTEM\_RESET\_N, [32](#)  
     W\_DISABLE\_N, [31](#)  
     WAKE\_N, [30](#)  
     WLAN\_LED\_N, [31](#)  
 SIM  
     capacitor recommendations, [29](#)  
     card contacts, [26](#), [28](#)  
     clock rate, [29](#)  
     connector, required, [15](#)  
     electrical specifications, [29](#)  
     impedance, connectors, [29](#)  
     interface, [26](#)  
     interface diagram, [28](#)  
     operation, [29](#)  
 Smart Error Detection  
     detecting module reset, [49](#)  
 SMS features, [14](#)  
 Snow 3G/AES security, [14](#)  
 software interface, [51](#)  
 specifications  
     electrical, [17](#)  
     environmental specifications, [52](#)  
     GNSS, [43](#)  
     mechanical, [52](#)  
     RF, [35–43](#)  
 SSS, [14](#)  
 standalone mode, concurrent, GNSS, [14](#)  
 standalone mode, GPS/GLONASS, [14](#)  
 standby DC power consumption, averaged, [44](#)  
 state machines, [47](#)  
 support  
     testing assistance by Sierra Wireless, [78](#)  
     tools, [51](#)  
 system acquisition, [14](#)  
 system block diagram, [18](#)  
 SYSTEM\_RESET\_N, [32](#)

## T

temperature specification  
     ambient, [52](#)  
     high, [52](#)  
 temperature specifications, [52](#)  
 temperature, module. See thermal  
 testing  
     overview, [65](#)  
     acceptance tests, [65](#)  
     assistance provided by Sierra Wireless, [78](#)  
     certification tests, [66](#)  
     equipment, suggested, [78](#)  
     interoperability and operator/carrier testing, [78](#)  
     manual functional test, suggested, [67](#)  
     production tests, [67](#)  
     quality assurance tests, [77](#)  
     RF receive path, LTE, [75](#)  
     RF transmission path, LTE, [71](#)  
     suggestions, [65–79](#)

---

thermal  
  considerations, [53–55](#)  
  design checklist, [64](#)  
  dissipation, factors affecting, [53](#)  
  dissipation, suggestions, [54](#)  
  internal temperature, maximum, [55](#)  
  testing, module, [54–55](#)

timing  
  power ramp-up, [48](#)  
  power-up, [48](#)

tracking session  
  automatic, [14](#)  
  standalone, [14](#)

Tx power tolerances, conducted, [43](#)

## U

UDK, [15](#)

UMTS  
  3GPP compliance, [56](#)

Universal Development Kit, [15](#)

USB  
  drivers, user-developed, [26](#)  
  high / full speed throughput performance, [26](#)  
  interface, [25](#)

USB3  
  design checklist, [63](#)

## V

vibration specifications, [52](#)

VSWR, [59](#), [61](#)

## W

W\_DISABLE\_N, [30](#), [31](#)

WAKE\_N, [17](#), [30](#)

Wireless Disable, [17](#)

Wireless Disable (Main RF), [31](#)

WLAN\_LED\_N, [30](#), [31](#)

## Z

ZIF (Zero Intermediate Frequency), [37](#)